



NEW

SELECTION
2016

Art Meets Technology



Pixelscreen E3.9 Indoor

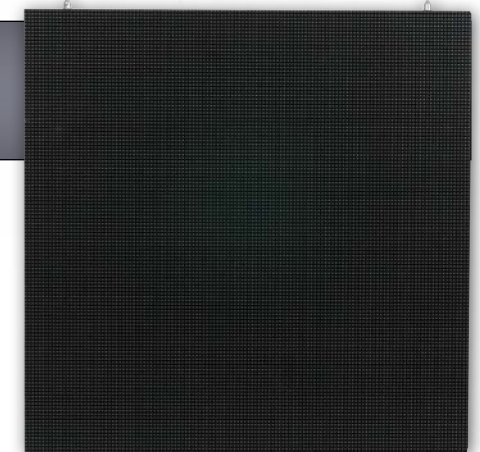
101560

Technical information:

LED light source:	SMD2020 Black Frame
Driver:	MB15124
Luminance:	1500 Nits
Transparency:	0%
Refresh rate:	>2000Hz
Cabinet ratio:	1:1
Resolution:	128 x 128px
Pixel pitch:	3,91mm
Screen mode:	Real Pixel
Viewing angle:	140° x 140°
Control system:	LINSN Led Studio
Input voltage:	200-240V 50/60Hz
Max Power consumption:	672W
Average Power consumption:	244W
IP Rating:	IP30 (indoor use)
Data connection:	RJ45 (Neutrik Ethercon)
Power connection:	Neutrik Powercon
Cooling:	convection
Mechanical connection:	Fastlock system
Maximum hanging height:	10 panels
Cabinet size:	W500mm x H500mm x D78mm
Cabinet weight:	9 kg (including link cables)
Link cables are included (both data and power)	

Special features:

- Affordable pricing
- Lightweight
- High refresh rate
- Quick assembling



Riggingbar Single for E3.9

101561



Riggingbar Double for E3.9

101562



Pixelscreen P5.9 SMD Tour

101550

Technical information:

LED light source:	SMD2727 Nation Star
Luminance:	6000 Nits
Transparency:	0%
Refresh rate:	>2000Hz
Cabinet ratio:	1:2
Resolution:	84 x 168px
Pixel pitch:	5,95mm
Screen mode:	Real Pixel
Viewing angle:	140° x 140°
Control system:	LINSN Led Studio
Input voltage:	100-240V 50/60Hz
Max Power consumption:	400W
Average Power consumption:	150W
IP Rating:	IP65 (temporary outdoor use)
Data connection:	RJ45 (Neutrik Ethercon)
Power connection:	Neutrik Powercon True
Cooling:	convection
Mechanical connection:	Fastlock system
Curved angles:	-15°, -10°, -5°, 0°, 5°, 10°, 15°
Maximum hanging height:	10 panels
Cabinet size:	W500mm x H1000mm x D75mm
Cabinet weight:	13,5 kg
Link cables are included (both data and power)	

Special features:

- 7 different angle positions
- Light weight
- 6000 Nits
- 2000 Hz refresh rate



Riggingbar Single for P5.9

101551



Riggingbar Double for P5.9

101552



Riggingbar Triple for P5.9

101553



This is a Highlite International B.V. publication. Design, concept, artwork, text and pictures are copyright protected and may not be reproduced in any form without prior approval of Highlite International B.V. in the Netherlands. Information in this catalogue is subject to change. Highlite International B.V. has the right to refuse claims based on misprints or editorial errors. Decorative images not related to products belong to Shutterstock © and are therefor also copyright-protected. Concept, art & design: Graphic-design department Highlite International B.V. All rights reserved 2016

- Special features:**
- Ultra-low noise discrete MIC Preamps with +48V Phantom Power
 - Compressors control on first 6 MIC channels
 - 3-band EQ with sweepable MID and Peak LEDs on each MIC channels.
 - 4-band EQ and Peak LEDs on Stereo channels.
 - Built-in 24-bit DSP effect with 100 presets.
 - Built-in USB Playback/Record module

- Special features:**
- Ultra-low noise discrete MIC Preamps with +48V Phantom Power
 - Compressors control on first 8 MIC channels
 - 3-band EQ with sweepable MID and Peak LEDs on each MIC channels.
 - 4-band EQ and Peak LEDs on Stereo channels.
 - Built-in 24-bit DSP effect with 100 presets.
 - Built-in USB Playback/Record module



GIG-164CFX
D2287 16 Channel live mixer incl. dynamics & DSP

Technical information:	
Mono Channels	
Mic Input:	XLR balanced
Line input:	1/4" TRS balanced
Freq response:	10Hz ~ 55kHz, +/- 3dB
Distortion (THD=N):	<0.03% @ 0dB, 22Hz ~ 22kHz
Gain range:	50dB
Input sensitivity:	-35dBu ~ +15dBu
LOW Cut:	75Hz
SNR:	<-114dB
Phantom Power:	+48V switchable
Stereo Channels	
Mic Input:	XLR balanced
Line input:	1/4" TRS/RCA unbalanced
Freq response:	10Hz ~ 55kHz, +/- 3dB
Distortion (THD=N):	<0.03% @ 0dB, 22Hz ~ 22kHz
Gain range:	50dB
Input sensitivity:	-20dBu ~ +20dBu
LOW Cut:	100Hz
SNR:	<-100dB
Phantom Power:	+48V switchable
Channels EQ mono	
High:	+/- 15dB @ 12kHz, Shelving
Mid:	+/- 15dB @ 100-8kHz, Sweepable
Low:	+/- 15dB @ 80Hz, Shelving
Channels EQ stereo	
High:	+/- 15dB @ 12kHz, Shelving
Mid:	+/- 15dB @ 3kHz
Mid:	+/- 15dB @ 500Hz
Low:	+/- 15dB @ 80Hz, Shelving
Impedances	
Microphone input:	1,8K Ohm
Other inputs:	>10K Ohm
Tape output:	1K Ohm
All other outputs:	120 Ohm
USB	
Record:	1 stereo pair (switchable between GRP 1-2 and MAIN MIX)
Playback:	1 stereo pair (switchable between Ch 15-16 and MAIN MIX)
Power supply:	
Power consumption:	AC 100- 240V 50Hz/60Hz
Measurements:	50 Watt
Weight:	535 x 435 x 85mm
	6,75 Kg



GIG-244CFX
D2288 24 Channel live mixer incl. dynamics & DSP

Technical information:	
Mono Channels	
Mic Input:	XLR balanced
Line input:	1/4" TRS balanced
Freq response:	10Hz ~ 55kHz, +/- 3dB
Distortion (THD=N):	<0.03% @ 0dB, 22Hz ~ 22kHz
Gain range:	50dB
Input sensitivity:	-35dBu ~ +15dBu
LOW Cut:	100Hz
SNR:	<-100dB
Phantom Power:	+48V switchable
Stereo Channels	
Mic Input:	XLR balanced
Line input:	1/4" TRS/RCA unbalanced
Freq response:	10Hz ~ 55kHz, +/- 3dB
Distortion (THD=N):	<0.03% @ 0dB, 22Hz ~ 22kHz
Gain range:	50dB
Input sensitivity:	-20dBu ~ +20dBu
LOW Cut:	75Hz
SNR:	<-100dB
Phantom Power:	+48V switchable
Channels EQ mono	
High:	+/- 15dB @ 12kHz, Shelving
Mid:	+/- 15dB @ 100-8kHz, Sweepable
Low:	+/- 15dB @ 80Hz, Shelving
Channels EQ stereo	
High:	+/- 15dB @ 12kHz, Shelving
Mid:	+/- 15dB @ 3kHz
Mid:	+/- 15dB @ 500Hz
Low:	+/- 15dB @ 80Hz, Shelving
Impedances	
Microphone input:	1,8K Ohm
Other inputs:	>10K Ohm
Tape output:	1K Ohm
All other outputs:	120 Ohm
USB	
Record:	1 stereo pair (switchable between GRP 1-2 and MAIN MIX)
Playback:	1 stereo pair (switchable between Ch 23-24 and MAIN MIX)
Power supply:	
Power consumption:	AC 100- 240V 50Hz/60Hz
Measurements:	60 Watt
Weight:	753 x 435 x 85mm
	9,35 Kg



- Special features:**
- Ultra-low noise discrete preamps with +48V Phantom Power
 - High-definition ADC's (114dB dynamic range)
 - 7" Full Color LCD Touch Screen
 - Digital Gate/Compressor/4-band full parametric EQ on each input
 - Easy to use software interface

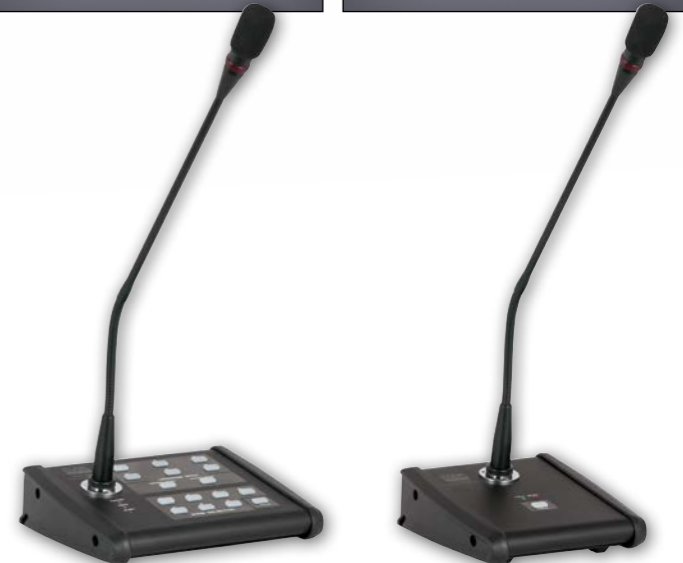
- Special features:**
- Broadcasting Zone selector
 - Digital Messaging user buttons
 - Master/Slave selection switch on backside
 - Push-to-Talk button on upside
 - Direct AUX-in by RCA connectors

- Special features:**
- Set Chime ore Priority by dip-switch
 - Master/Slave selection switch on backside
 - Push-to-Talk button on upside



GIG-202 Tab
D2289 20 Channel digital mixer incl. dynamics & DSP

Technical information:	
Mono channels	
Mic Inputs:	XLR balanced
Line Input:	TRS balanced
Freq Response:	20Hz ~ 20kHz, +/- 1,5dB
Distortion (THD=N):	<0,01% @ 0dB, 22Hz ~22kHz
Max Input Level:	+21dBu
SNR:	< -107dB
Phantom Power:	+48V
Stereo Channels	
Line Input:	TRS balanced
Freq Response:	20Hz ~ 20kHz, +/- 1,5dB
Distortion (THD=N):	<0,01% @ 0dB, 22Hz ~22kHz
Max Input Level:	+21dBu
SNR:	< -107dB
EQ	
LowPass:	20,6Hz ~ 20kHz
Frequency Range:	20,6Hz ~ 20kHz
Gain:	0dB +/- 24dB
Q-factor:	0,4 ~ 24
HighPass:	20Hz
Gate	
Threshold Range:	-84dB ~ +20dB
Attack Time:	0,5ms ~ 200ms
Release Time:	5ms ~ 1000ms
Compressor	
Threshold Range:	-30dB ~ +20dB
Attack Time:	0,5ms ~ 200ms
Release Time:	10ms ~ 1000ms
Ratio:	1:1 ~ 1:10 until limit
Gain:	0 ~ +24dB
Impedances	
Microphone input:	1,4K Ohm
Channel Insert:	2,5K Ohm
Other Inputs:	10K Ohm
Other Outputs:	120 Ohm
Power Supply:	
Power Consumption:	AC 100-240V 50Hz/60Hz
Measurements:	89W
Weight:	442 x 355 x 139mm (483mm incl 19"mounts)
	6Kg



PM-Six
D6182 Six zone paging mic for ZPA-6240TU

PM-One
D6181 One zone paging mic for ZPA-6240TU

Technical information:	
Microphone unit:	Condenser
Freq response:	22 Hz ~ 23 KHz
Sensitivity:	29dB @ 1kHz
Audio output:	230mV
Dimensions base:	165 x 200 x 57mm
Dimensions mic:	430 x 20mm
Weight:	1,0kg

Technical information:	
Microphone unit:	Condenser
Freq response:	22 Hz ~ 23 KHz
Sensitivity:	29dB @ 1kHz
Audio output:	230mV
Dimensions base:	162 x 150 x 57mm
Dimensions mic:	430 x 20mm
Connections:	2x RJ45
Weight:	0,6Kg

WiFi module for GIG-202 tab
D2297

Technical information:	
Optional Wifi module for wireless communication between the GIG-202 tab and a tablet/smartphone.	



Optional USB Multitrack module for GIG-202 tab
D2298

Technical information:	
Optional USB Multitrack module for simultaneous recording/playback multiple channels connected to the GIG-202 tab.	



Special features:

- Backlit buttons
- Recorder & Player
- Wide Bluetooth range
- Ir remote control



MPR-200BT
D1248 1U Professional media player recorder



Technical information:

CD/USB/SD	
Anti-shock buffer:	30 sec
CD type:	CD/CDR/MP-3
USB & SD capacity:	up to 32GB
Output connector:	RCA
Output level:	1,2 V +/- 2 dB
THD:	< 0,1% at 1 kHz
S/N Ratio:	> 70dB at 1 kHz
Tuner	
FM band:	87,5 – 108 MHz
Antenna:	75 Ohm Antenna terminal socket
Presets:	30
Output connector:	RCA
Bluetooth:	
Max distance:	25m dep. environment sit.
General	
Power Supply:	AC 230V – 50/60 Hz
Power consumption:	50 Watt
Dimensions:	482 x 44 x 250 mm (LxWxH)
Weight:	3,7 kg

Special features:

- Built-in Wifi
- USB Media player & Tuner
- Full color display
- DNLA



IR-100
D1249 Professional Internet Radio



Technical information:

Internet radio	
Features:	Favorites, Genre, Local, Search, DNLA Tuner
FM band:	87,5 – 108 MHz
Presets:	5
Media player	
Source:	USB type A
Supported files:	MP3, WMA
Format:	FAT32 up to 32Gb
Playback:	Program, Repeat, Continuous
Output	
Output level:	1,2 V +/- 2 dB
THD:	< 0,1% at 1 kHz
S/N Ratio:	> 70dB at 1 kHz
Connections	
Aux in:	3,5mm jack & RCA
Output:	RCA
Antenna:	75Ohm
Network:	Wifi & RJ-45
General	
Power Supply:	AC 230V – 50/60 Hz
Power consumption:	50 Watt
Dimensions:	482 x 44 x 240mm (LxWxH)
Weight:	2,3kg

Special features:

- High level of reliability due to full protection circuit
- Ultra lightweight (6,2Kg)
- PFC Digital Power Supply



DM-1000
D4212 2x 500W Class-D amplifier

Technical information:

Stereo Mode:	2x 500W @ 4 Ohm (RMS)
(Both Channels Drive)	2x 300W @ 8 Ohm (RMS)
Bridge Mode:	1x 1000W @ 8 Ohm (RMS)
Input sensitivity:	0,9 – 1,1V
Input Impedance:	20KΩ balanced or 10KΩ Unbalanced
Frequency Response:	20 - 45,000 Hz, -1 dB THD+N: < 0.05%
Damping Factor at 8 Ohm:	> 180
Slew Rate:	> 40 V/μs
Input CMRR:	> 60 dB
Crosstalk 20 - 20,000 Hz:	> 70 dB
Signal to Noise Ratio:	> 96 dB A-weighted
Power Circuitry:	PFC-Switching Power Amp CLASS-D
Protections:	Short circuit, open circuit, thermal, ultrasonic and RF protection
Input Connectors:	RCA and XLR Combo
Output connectors:	2x Speakon + binding posts
Dimensions:	483 x 431 x 89mm
Power Supply:	110-120VAC or 220-240VAC, 50/60Hz
Weight:	6,2Kg

Special features:

- High level of reliability due to full protection circuit
- Ultra lightweight (7,6Kg)
- PFC Digital Power Supply



DM-2000
D4213 2x 1000W Class-D amplifier

Technical information:

Stereo Mode:	2x 1000W @ 4 Ohm (RMS)
(Both Channels Drive)	2x 500W @ 8 Ohm (RMS)
Bridge Mode:	1x 1900W @ 8 Ohm (RMS)
Input sensitivity:	0,9 – 1,1V
Input Impedance:	20KΩ balanced or 10KΩ Unbalanced
Frequency Response:	20 - 45,000 Hz, -1 dB THD+N: < 0.05%
Damping Factor at 8 Ohm:	> 180
Slew Rate:	> 40 V/μs
Input CMRR:	> 60 dB
Crosstalk 20 - 20,000 Hz:	> 70 dB
Signal to Noise Ratio:	> 99 dB A-weighted
Power Circuitry:	PFC-Switching Power Amp CLASS-D
Protections:	Short circuit, open circuit, thermal, ultrasonic and RF protection
Input Connectors:	RCA and XLR Combo
Output connectors:	2x Speakon + binding posts
Dimensions:	483 x 431 x 89mm
Power Supply:	110-120VAC or 220-240VAC, 50/60Hz
Weight:	7,6Kg

Special features:

- 700 Watt
- 126 dB
- Multidimensional design
- 35-400Hz



DRX-18B
D3646

Technical information:

System Type:	18" Reflex Subwoofer
Continuous Power:	350W
Peak Power:	700W
Transducer Low:	18" Woofer, 3" voice coil, with double ventilation
Max. SPL at 1m:	126dB
Impedance:	8Ω
Frequency Response:	35Hz-400Hz (-6dB)
Connector:	2 x Speakon 1+,1- (2+,2- N/C)
Construction:	18mm plywood cabinet, glued and reinforced
Paint:	Black scratch resistant
Pole-mount:	2x metal 35mm standard pole
Dimensions (HxWxD):	535 x 661 x 515 mm
Net Weight:	28,6 kg



Special features:

- 700 Watt
- High Pass output
- Multidimensional design
- 35 - 120 Hz



DRX-18BA
D3647

Technical information:

System Type:	Active subwoofer Speaker Cabinet
Continuous Power:	700W
Frequency Response:	35Hz-120Hz(- 6dB)
SPL (1W1M):	98 dB /126dB Max
Woofer:	18" / 3" Voice Coil with ventilation
Active Crossover:	HPF 80Hz, analog processor
Input Connectors:	XLR Combo Female Left, XLR female right, 2x Male link L/R
Output connectors:	2x XLR Male L/R (15kOhms)
Input Level:	Left / Right Line Input OdBu
External Connectors:	Volume /Power / Ground lift / Phase /HPF bypass
Indicators:	Power / Clip Limiter
Power Supply:	110-120V/220-240V 50/60Hz
Construction:	18mm Plywood, glued and reinforced
Paint:	Black scratch resistant
Pole-mount:	2x Metal 35mm standard pole-mount
Dimension (HxWxD):	535 x 661 x 515 mm
Net weight:	30,3 kg



Special features:

- Set of 2 Speakers
- WIFI and Wired network connection
- Airplay, DNLA, Internet radio
- Direct stream from smart phones
- Multi-room configuration



WCSS-230
D6450 Wireless Ceiling Speaker Set

Technical information:

Network	
Connection:	Wifi & wired RJ-45
Wifi standard:	IEEE802.11b, IEEE802.11g, IEEE802.11n
Local music:	Airplay, DLNA, Direct smartphone stream
Streaming:	Spotify, Qplay, Deezer, Melon, Tuneln
Supported Audio formats:	AAC, ACC, WMA, FLAC, Mp3, PCM, WAVE
App:	Smart Sonix (App store & Google play)
Speaker	
LF Speaker:	6,5" Kevlar
HF Speaker:	0,75" Titanium
Cutout dimension:	210mm
Overall dimension:	227x100mm
Amplification	
Amplifier:	2x30Watt Class D
THD:	<0,05% @ 1 W
Treble attenuation:	+/- 3dB
Analogue Input:	RCA
Output:	1x30W for passive version
Power input:	DC24V/5A
Rated power:	60W
Standby power:	5W



- Special features:**
- 250W
 - Loop through connection
 - RCA, XLR, Terminal input
 - 24V Back up power input



- Special features:**
- 500W
 - Loop through connection
 - RCA, XLR, Terminal input
 - 24V Back up power input



- Special features:**
- Compact design
 - Media player
 - Tuner
 - Front line input



PA-250
D6160 250W 100V Amplifier

Technical information:	
Outputs Power:	250W
100V & 80hm:	Terminals
Loop through:	RCA
Inputs 1x Line:	RCA, XLR & Terminals
General Power supply:	230V AC
Back-up power supply:	DC 24V
Power consumption:	500W
Power connection:	IEC
Dimensions:	483x326x88mm (WxDxH)
Weight:	12 Kg

PA-500
D6161 500W 100V Amplifier

Technical information:	
Outputs Power:	500W
100V & 80hm:	Terminals
Loop through:	RCA
Inputs 1x Line:	RCA, XLR & Terminals
General Power supply:	230V AC
Back-up power supply:	DC 24V
Power consumption:	1000W
Power connection:	IEC
Dimensions:	483x326x88mm (WxDxH)
Weight:	16 Kg

PA-530TU
D6150 30W 100V Amplifier

Technical Information		Features	
Outputs Power:	30W	Speech filter:	-3dB, 300Hz 6db/oct
Zones:	1	Phantom power:	18V
100V & 80hm:	Terminals	Tone Control:	Bass 100 Hz, treble 12 KHz, +/-12dB
Line output:	XLR	General	
Loop through:	RCA	Power supply:	230V AC
Headphones:	6,3mm Jack	Back-up power supply:	DC 24V
Inputs 2x Mic/Line:	XLR/Jack combi & Terminals	Power consumption:	80W
1x Line:	RCA	Power connection:	IEC
Front input:	3,5mm Jack	Dimensions:	270x262x88mm (WxDxH)
Media player		Weight:	6 Kg
Source:	USB type A		
Supported files:	MP3, Wav		
Format:	FAT32 up to 32Gb		
Playback:	Program, Repeat, Continuous		
Tuner			
FM band:	87,5 – 108 MHz		
Presets:	10		
Antenna:	750hm		

- Special features:**
- 1 Zone
 - 7 inputs
 - Telephone input
 - Chime & Ducking



PA-7120
D6151 120W 100V Amplifier

Technical Information	
Outputs Power:	120W
Zones:	1
100V & 80hm:	Terminals
Line output:	XLR
Loop through:	RCA
Headphones:	6,3mm Jack
Inputs 3x Mic/Line:	XLR/Jack combi & Terminals
3x Line:	RCA
Front input:	3,5mm Jack
Features	
Speech filter:	-3dB, 300Hz 6db/oct
Phantom power:	18V
Tone Control:	Bass 100 Hz, treble 12 KHz, +/-12dB adjustable volume
Chime:	adjustable suppression
Ducking:	Mic input 1
PTT:	Mic input 2
VOX:	Override all, terminal
Telephone input:	
General	
Power supply:	230V AC
Back-up power supply:	DC 24V
Power consumption:	250W
Power connection:	IEC
Dimensions:	483x328x88mm (WxDxH)
Weight:	9 Kg

- Special features:**
- 4 Zones
 - 7 inputs
 - Telephone input
 - Zone line outputs



ZA-7250
D6152 250W 100V Zone Amplifier

Technical Information		Features	
Outputs Power:	240W	Speech filter:	-3dB, 300Hz 6db/oct
Zones:	4	Phantom power:	18V
100V & 80hm:	Terminals	Tone Control:	Bass 100 Hz, treble 12 KHz, +/-12dB adjustable volume
Line output:	XLR	Chime:	adjustable suppression
Loop through:	RCA	Ducking:	Mic input 1
Headphones:	6,3mm Jack	PTT:	Mic input 2
Inputs 3x Mic/Line:	XLR/Jack combi & Terminals	VOX:	Override all, terminal
3x Line:	RCA	Telephone input:	
Front input:	3,5mm Jack	General	
		Power supply:	230V AC
		Back-up power supply:	DC 24V
		Power consumption:	500W
		Power connection:	IEC
		Dimensions:	483x328x88mm (WxDxH)
		Weight:	12 Kg

- Special features:**
- 2 Zones
 - Media player
 - Telephone input
 - USB on front and backside



ZA-9120TU
D6153 120W 100V Zone Amplifier

Technical Information		Features	
Outputs Power:	120W	Speech filter:	-3dB, 300Hz 6db/oct
Zones:	2	Phantom power:	18V
100V & 80hm:	Terminals	Tone Control:	Bass 100 Hz, treble 12 KHz, +/-12dB adjustable volume
Line output:	XLR	Chime:	adjustable suppression
Loop through:	RCA	Ducking:	Mic input 1
Headphones:	6,3mm Jack	PTT:	Mic input 2
Inputs 3x Mic/Line:	XLR/Jack combi & Terminals	VOX:	Override all, terminal
3x Line:	RCA	Telephone input:	
Front input:	3,5mm Jack	General	
Media player		Power supply:	230V AC
Source:	2x USB type A, front/back	Back-up power supply:	DC 24V
Supported files:	MP3, Wav	Power consumption:	250W
Format:	FAT32 up to 32Gb	Power connection:	IEC
Playback:	Program, Repeat, Continuous	Dimensions:	483x328x88mm (WxDxH)
Tuner		Weight:	9 Kg
FM band:	87,5 – 108 MHz		
Presets:	10		
Antenna:	750hm		

- Special features:**
- 4 Zones
 - Media player
 - Zone line outputs
 - USB on front and backside



ZA-9250TU
D6154 250W 100V Zone Amplifier

Technical Information		Features	
Outputs Power:	250W	Speech filter:	-3dB, 300Hz 6db/oct
Zones:	4	Phantom power:	18V
100V & 80hm:	Terminals	Tone Control:	Bass 100 Hz, treble 12 KHz, +/-12dB adjustable volume
Line output:	XLR	Chime:	adjustable suppression
Loop through:	RCA	Ducking:	Mic input 1
Headphones:	6,3mm Jack	PTT:	Mic input 2
Inputs 3x Mic/Line:	XLR/Jack combi & Terminals	VOX:	Override all, terminal
3x Line:	RCA	Telephone input:	
Front input:	3,5mm Jack	General	
Media player		Power supply:	230V AC
Source:	2x USB type A, front/back	Back-up power supply:	DC 24V
Supported files:	MP3, Wav	Power consumption:	500W
Format:	FAT32 up to 32Gb	Power connection:	IEC
Playback:	Program, Repeat, Continuous	Dimensions:	483x328x88mm (WxDxH)
Tuner		Weight:	12 Kg
FM band:	87,5 – 108 MHz		
Presets:	10		
Antenna:	750hm		

- Special features:**
- 4 Zones
 - Media player
 - Built-in volume controllers
 - USB on front & backside



ZA-9250VTU
D6155 250W 100V Zone volume control amplifier

Technical Information		Features	
Outputs Power:	250W	Speech filter:	-3dB, 300Hz 6db/oct
Zones:	4	Phantom power:	18V
100V & 80hm:	Terminals	Tone Control:	Bass 100 Hz, treble 12 KHz, +/-12dB adjustable volume
Line output:	XLR	Chime:	adjustable suppression
Loop through:	RCA	Ducking:	Mic input 1
Headphones:	6,3mm Jack	PTT:	Mic input 2
Inputs 3x Mic/Line:	XLR/Jack combi & Terminals	VOX:	Override all, terminal
3x Line:	RCA	Telephone input:	
Front input:	3,5mm Jack	General	
Media player		Power supply:	230V AC
Source:	2x USB type A, front/back	Back-up power supply:	DC 24V
Supported files:	MP3, Wav	Power consumption:	500W
Format:	FAT32 up to 32Gb	Power connection:	IEC
Playback:	Program, Repeat, Continuous	Dimensions:	483x328x133mm (WxDxH)
Tuner		Weight:	14 Kg
FM band:	87,5 – 108 MHz		
Presets:	10		
Antenna:	750hm		

- Special features:**
- 6 Zones with separate volume control
 - Media player with USB and SD input
 - Digital Message Player built-in



ZPA-6240TU
D6180 240W 100V Zone amplifier

Technical Information		Features	
Inputs 4x Mic/Line:	XLR/Jack combi & Terminals	Speech filter:	-3dB, 300Hz 6db/oct
2x Line:	RCA	Phantom power:	24V
Media player		Tone Control:	Bass 100 Hz, treble 10 KHz, +/-10dB adjustable volume
Source:	1x USB type A, 1x SD Card	Chime:	adjustable volume
Supported files:	MP3, 48kHz, 320kbps	PTT:	Mic input 1
Format:	FAT16/FAT32 up to 32Gb	VOX:	Mic input 2
Playback:	Repeat, Continuous	Telephone input:	Override all, terminal
Tuner		General	
FM band:	87,5 – 108 MHz	Power supply:	220–240VAC, 50/60Hz
Presets:	4	Back-up power supply:	DC 24V 20A
Antenna:	750hm	Power consumption:	340W
		Power connection:	IEC
		Dimensions:	483x328x133mm (WxDxH)
		Weight:	16 Kg



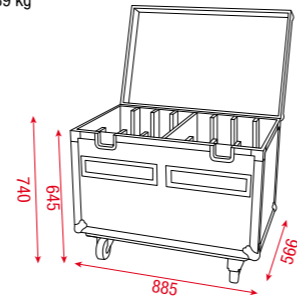
Case for E3.9 Indoor

101563



Technical information:

39 kg



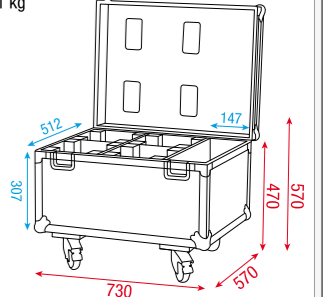
Case for 4x Beacon

D7036



Technical information:

31 kg



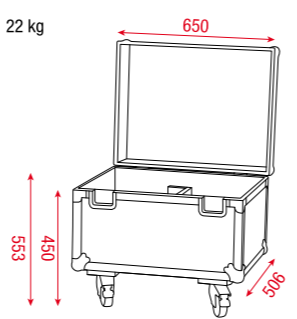
Case for 6x Eventmove

D7037



Technical information:

22 kg



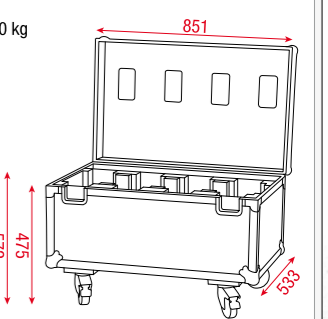
Case for 4x PX0 Beam

D7035



Technical information:

30 kg

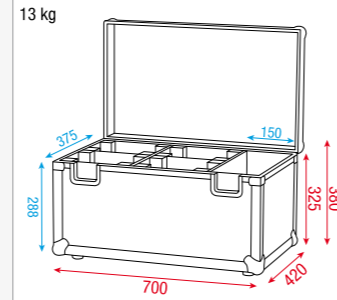


Case for 4x Kanjo Wash/Spot

D7034



Technical information:

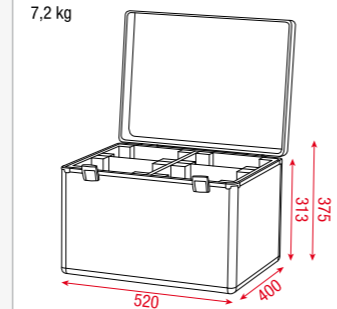


Case for 4x Kanjo Wash/Spot

D7033 Value Line



Technical information:

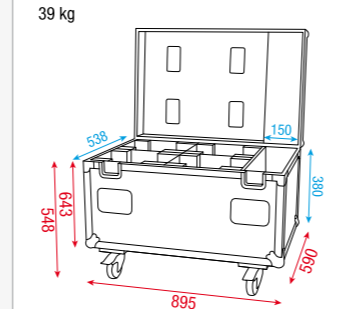


Case for 4x Phantom 70Beam / 120Wash

D7043



Technical information:

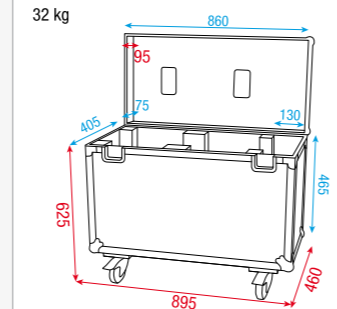


Case for 2x Phantom 300 Matrix

D7044



Technical information:

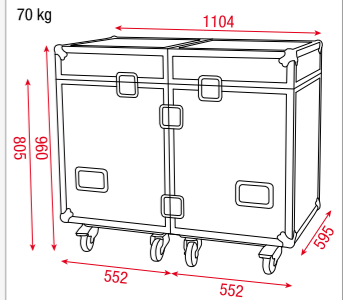


Case for 2x iS-400

D7248 Premium Line



Technical information:

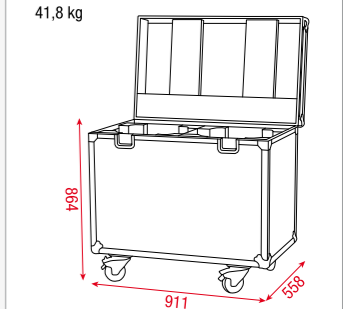


Case for 2x iB-16R

D7245 Premium Line



Technical information:

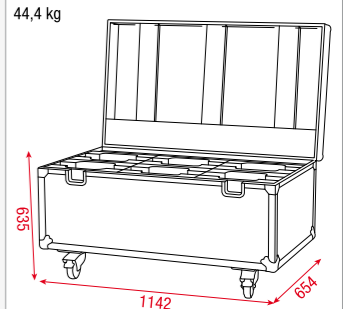


Case for 6x iB-715

D7244 Premium Line



Technical information:

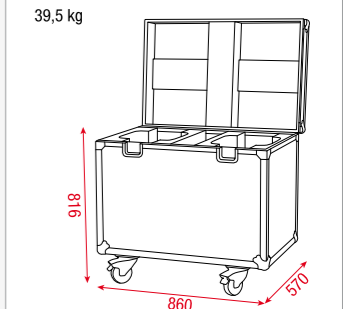


Case for 2x iM-2515

D7243 Premium Line



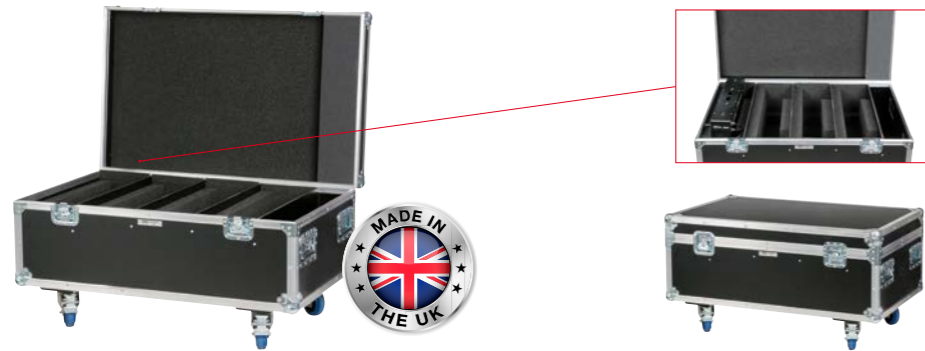
Technical information:





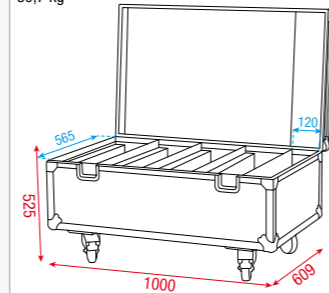
Case for 4x Helix 4000 Q4

D7247 Premium Line



Technical information:

30,7 kg



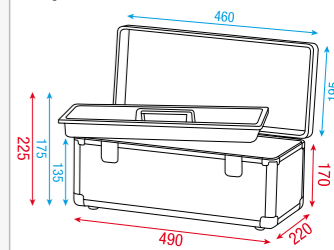
Toolcase 1

D7040 Value Line



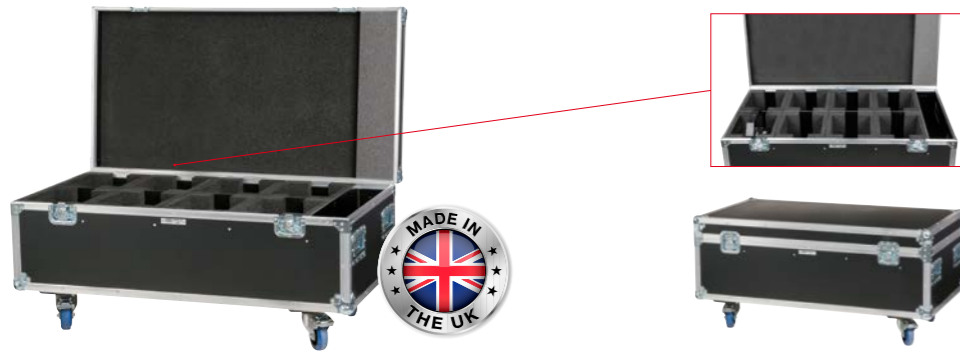
Technical information:

2,6 kg



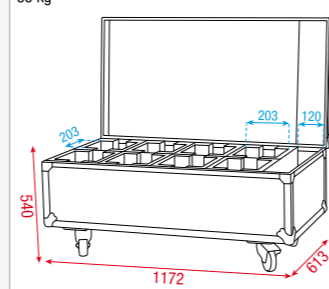
Case for 8x NanoQ 12 Q4

D7246 Premium Line



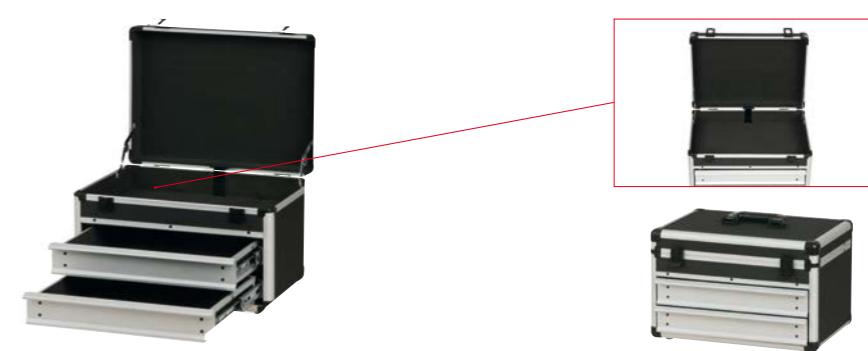
Technical information:

35 kg



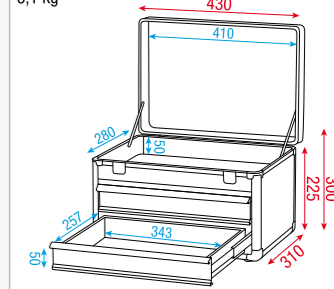
Toolcase 2

D7041 Value Line



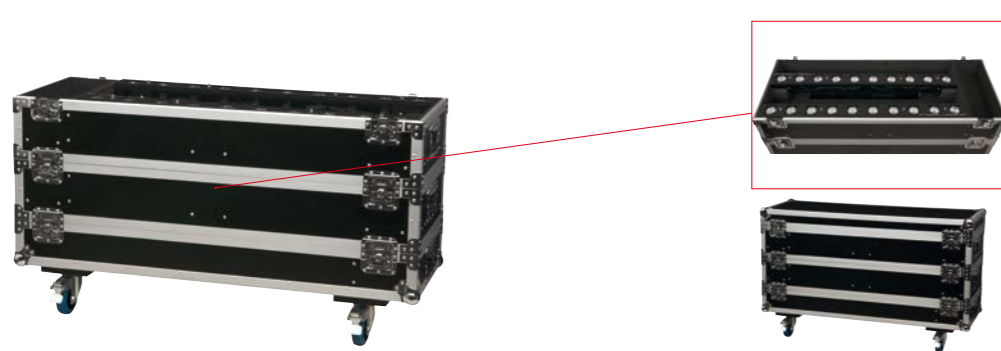
Technical information:

6,1 kg



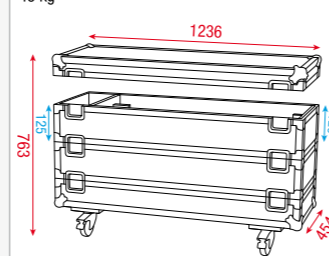
Case for 12x Sunstrip Active

D7039



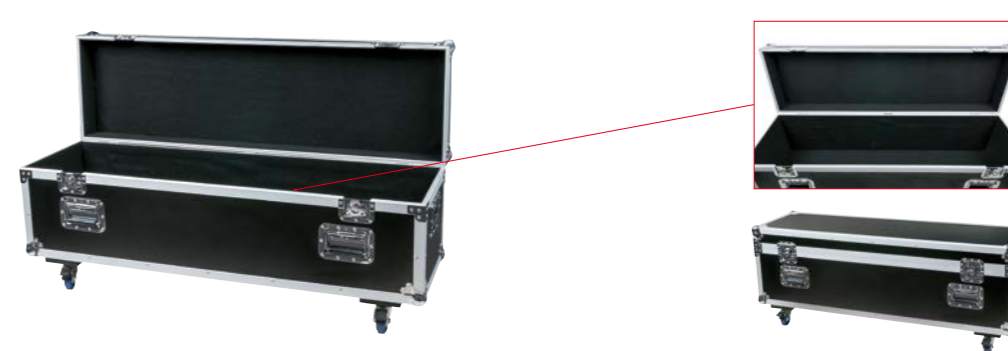
Technical information:

45 kg



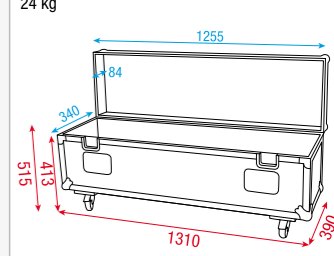
Stack Case 6

D7425B



Technical information:

24 kg



FP08 - Schuko/XLR F - IEC/XLR M

- Length
- FP0810B** 10 m Audio / Power, Black jacket
 - FP0815B** 15 m Audio / Power, Black jacket
 - FP0820B** 20 m Audio / Power, Black jacket



FP09 - Schuko/XLR F - Schuko/XLR M

- Length
- FP0910B** 10 m Audio / Power, Black jacket
 - FP0915B** 15 m Audio / Power, Black jacket
 - FP0920B** 20 m Audio / Power, Black jacket



FP12 - IEC/XLR M - IEC/XLR F

- Length
- FP12150B** 1,5 m DMX / Power, Black jacket
 - FP123B** 3 m DMX / Power, Black jacket
 - FP126B** 6 m DMX / Power, Black jacket
 - FP1210B** 10 m DMX / Power, Black jacket



Studio Multicore / single shielded

- D9441B** 4 Pair Studio Multicore, single shielded, price p. m., Black jacket
- D9442B** 8 Pair Studio Multicore, single shielded, price p. m., Black jacket
- D9443B** 12 Pair Studio Multicore, single shielded, price p. m., Black jacket
- D9444B** 16 Pair Studio Multicore, single shielded, price p. m., Black jacket
- D9445B** 20 Pair Studio Multicore, single shielded, price p. m., Black jacket
- D9446B** 24 Pair Studio Multicore, single shielded, price p. m., Black jacket
- D9448B** 32 Pair Studio Multicore, single shielded, price p. m., Black jacket



Pro Multicore / double shielded

- D9451B** 4 Pair Stage Multicore, double shielded, Black jacket
- D9452B** 8 Pair Stage Multicore, double shielded, Black jacket
- D9453B** 12 Pair Stage Multicore, double shielded, Black jacket
- D9454B** 16 Pair Stage Multicore, double shielded, Black jacket
- D9455B** 20 Pair Stage Multicore, double shielded, Black jacket
- D9456B** 24 Pair Stage Multicore, double shielded, Black jacket
- D9457B** 28 Pair Stage Multicore, double shielded, Black jacket



Power/Signal Cables

- D9482B** Power/Signal Cable, price per m, Black jacket
- D9481B** AUDIO Power/Signal Cable, price per m, Black jacket



Speakercables

- D9203B** Stage Speakercable 2 x 2,5 mm, 100 m on spool, Black jacket
- D9201B** Stage Speakercable 2 x 0,75 mm, 100 m on spool, Black jacket
- D9202B** Stage Speakercable 2 x 1,5 mm, 100 m on spool, Black jacket
- D9204B** Stage Speakercable 2 x 2,5 mm, 100 m on spool, Black jacket
- D9205B** Stage Speakercable 2 x 4 mm, 50 m on spool, Black jacket



Stage (Multi) Speakercables

- D9302B** Stage Multi Speakercable 4 x 4 mm, 50 m on spool, Black jacket
- D9304B** Stage Multi Speakercable 8 x 2,5 mm, price per m, Black jacket
- D9305B** Stage Speakercable 4 x 2,5 mm Twist protection, 50 m on spool, Black jacket



Data Cables

- D9409B** 100 m spool, Black jacket



Powersplit 4 CEE 16A

91210 3x 3p CEE

Technical information:
 Input: CEE-plug 3P+N+PE 16A, 400VAC
 Outlet: CEE-socket 16A, 230VAC
 Max current: 3x16A
 IP Rating: IP44
 Dimensions: 195x80x78mm



Powersplit 5 CEE 16A

91211 3x Schuko

Technical information:
 Input: CEE-plug 3P+N+PE 16A, 400VAC
 Outlet: Schuko-socket 16A, 230VAC
 Max current: 3x16A
 IP Rating: IP44
 Dimensions: 195x80x78mm



MPD-616 Power Splitter

91200

Technical information:
 Cable: 2m 5G6 with 32A CEE
 400V 5p connector
 Protection: 6x MCB 16A 1p, C-type
 Equipment: 6x Schuko socket 16A 240V
 IP rating: IP54
 Dimensions: 430 x 130 x 75mm



Special features:
 • Portable, solid rubber housing
 • Integrated carrying handle
 • Dust- and Splash proof

MPD-416CEE Power Splitter

91201

Technical information:
 Cable: 2m 5G6 with 32A CEE
 400V 5p connector
 Protection: 1x MCB 16A 3p, C-type
 2x MCB 16A 1p, C-type
 Equipment: 1x CEE socket 16A 400V 5p
 4x Schuko socket 16A 240V
 IP rating: IP54
 Dimensions: 430 x 130 x 79mm



Special features:
 • Portable, solid rubber housing
 • Integrated carrying handle
 • Dust- and Splash proof

MPD-832CEE Power Splitter

91202

Technical information:
 Cable: 2m 5G6 with 32A CEE
 400V 5p connector
 Protection: 1x RCCB 30mA, A-type
 1x MCB 16A 3p, C-type
 8x MCB 16A 1p, C-type
 Equipment: 1x CEE socket 32A 400V 5p
 1x CEE socket 16A 400V 5p
 8x Schuko socket 16A 240V
 IP rating: IP54
 Dimensions: 320 x 320 x 320mm



Special features:
 • Portable, stackable,
 solid rubber housing
 • Integrated carrying handle
 • Dust- and Splash proof
 • Hinged cover with 2 quick
 acting closures



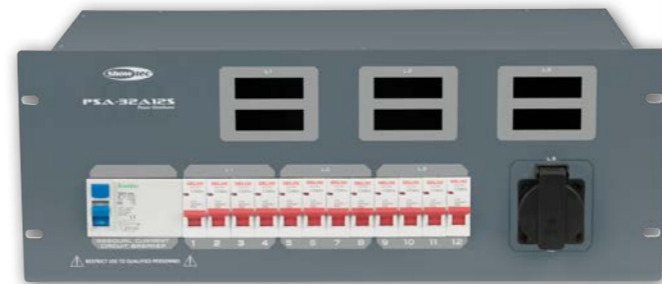
PSA-16A3C
50660 3x MCB, CEE out

Technical information:	
Input:	1x CEE male 3P+N+PE, 400VAC, 50/60Hz
Output:	6x CEE female 1P+N+PE, 230VAC, 50/60Hz
MCB (3pcs)	
Rated Current:	16A
Tripping Curve:	C-type
Poles:	1P
Breaking Capacity:	6KA
Physical	
Color:	Dark Grey
Housing:	Powder coated Metal
Dimensions:	483 x 90 x 225 mm
IP Rating:	IP20
Operating Temp:	-5 ~ 40°C
Weight:	7,00 Kg



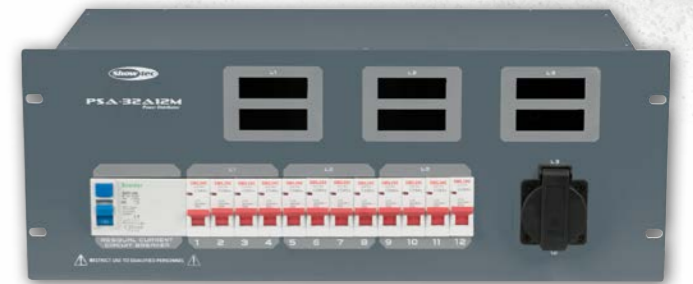
PSA-16A3S
50661 3x MCB, Schuko out

Technical information:	
Input:	1x CEE male 3P+N+PE, 400VAC, 50/60Hz
Output:	6x Schuko 1P+N+PE, 230VAC, 50/60Hz
MCB (3pcs)	
Rated Current:	16A
Tripping Curve:	C-type
Poles:	1P
Breaking Capacity:	6KA
Physical	
Color:	Dark Grey
Housing:	Powder coated Metal
Dimensions:	483 x 90 x 225 mm
IP Rating:	IP20
Operating Temp:	-5 ~ 40°C
Weight:	7,00 Kg



PSA-32A12S
50664 12x MCB, Schuko out

Technical information:	
Input:	1,5m H07RN-F 5G6 cable + CEE male 3P+N+PE, 400VAC, 50/60Hz
Output:	12x Schuko 1P+N+PE, 230VAC, 50/60Hz
RCCB (1pcs)	
Rating:	40A
Sensitivity:	30mA
Class:	A-type
Poles:	3P+N
Breaking Capacity:	6KA
MCB (12pcs)	
Rated Current:	16A
Tripping Curve:	C-type
Poles:	1P
Breaking Capacity:	6KA
Physical	
Color:	Dark Grey
Housing:	Powder coated Metal
Dimensions:	483 x 178 x 235 mm
IP Rating:	IP20
Operating Temp:	-5 ~ 40°C
Weight:	9,80 Kg



PSA-32A12M
50665 12x MCB, Schuko + Multipin out

Technical information:	
Input:	1,5m H07RN-F 5G6 cable + CEE male 3P+N+PE, 400VAC, 50/60Hz
Output:	6x Schuko 1P+N+PE, 2x Multipin 16P+PE, 230VAC, 50/60Hz
RCCB (1pcs)	
Rating:	40A
Sensitivity:	30mA
Class:	A-type
Poles:	3P+N
Breaking Capacity:	6KA
MCB (12pcs)	
Rated Current:	16A
Tripping Curve:	C-type
Poles:	1P
Breaking Capacity:	6KA
Physical	
Color:	Dark Grey
Housing:	Powder coated Metal
Dimensions:	483 x 178 x 235 mm
IP Rating:	IP20
Operating Temp:	-5 ~ 40°C
Weight:	10,80 Kg



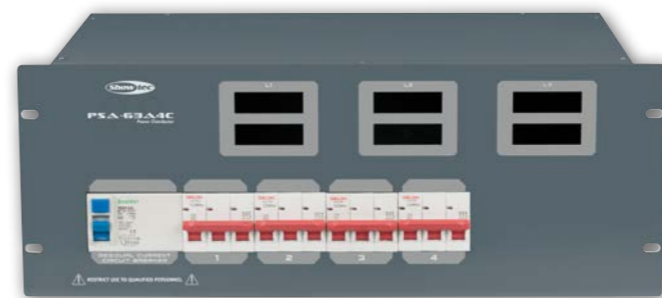
PSA-32A6C
50662 6x MCB, CEE out

Technical information:	
Input:	1,5m H07RN-F 5G6 cable + CEE male 3P+N+PE, 400VAC, 50/60Hz
Output:	6x CEE female 1P+N+PE, 230VAC, 50/60Hz
RCCB (1pcs)	
Rating:	40A
Sensitivity:	30mA
Class:	A
Poles:	3P+N
Breaking Capacity:	6KA
MCB (6pcs)	
Rated Current:	16A
Tripping Curve:	C-type
Poles:	1P
Breaking Capacity:	6KA
Physical	
Color:	Dark Grey
Housing:	Powder coated Metal
Dimensions:	483 x 135 x 245 mm
IP Rating:	IP20
Operating Temp:	-5 ~ 40°C
Weight:	9,50 Kg



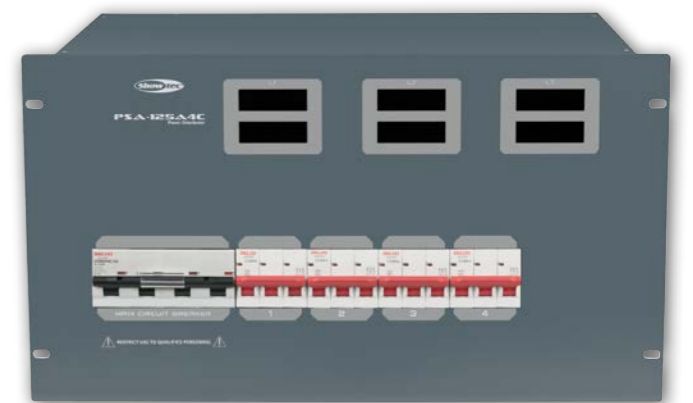
PSA-32A6S
50663 6x MCB, Schuko out

Technical information:	
Input:	1,5m H07RN-F 5G6 cable + CEE male 3P+N+PE, 400VAC, 50/60Hz
Output:	6x Schuko 1P+N+PE, 230VAC, 50/60Hz
RCCB (1pcs)	
Rating:	40A
Sensitivity:	30mA
Class:	A
Poles:	3P+N
Breaking Capacity:	6KA
MCB (6pcs)	
Rated Current:	16A
Tripping Curve:	C-type
Poles:	1P
Breaking Capacity:	6KA
Physical	
Color:	Dark Grey
Housing:	Powder coated Metal
Dimensions:	483 x 135 x 245 mm
IP Rating:	IP20
Operating Temp:	-5 ~ 40°C
Weight:	9,50 Kg



PSA-63A4C
50666 4x MCB, CEE out

Technical information:	
Input:	1,5m H07RN-F 5G10 cable + CEE male 3P+N+PE, 400VAC, 50/60Hz
Output:	4x CEE 3P+N+PE, 400VAC, 50/60Hz
RCCB (1pcs)	
Rating:	63A
Sensitivity:	30mA
Class:	A-type
Poles:	3P+N
Breaking Capacity:	6KA
MCB (4pcs)	
Rated Current:	32A
Tripping Curve:	C-type
Poles:	3P
Breaking Capacity:	6KA
Physical	
Color:	Dark Grey
Housing:	Powder coated Metal
Dimensions:	483 x 178 x 235 mm
IP Rating:	IP20
Operating Temp:	-5 ~ 40°C
Weight:	11,40 Kg



PSA-125A4C
50667 4x MCB, CEE out

Technical information:	
Input:	CEE male 3P+N+PE, 400VAC, 50/60Hz
Output:	4x CEE 3P+N+PE, 400VAC, 50/60Hz
Main MCB (1pcs)	
Rating:	125A
Tripping Curve:	C-type
Poles:	4P
Breaking Capacity:	10KA
MCB (4pcs)	
Rated Current:	63A
Tripping Curve:	C-type
Poles:	3P
Breaking Capacity:	6KA
Physical	
Color:	Dark Grey
Housing:	Powder coated Metal
Dimensions:	483 x 390 x 275 mm
IP Rating:	IP20
Operating Temp:	-5 ~ 40°C
Weight:	19,40 Kg



- Special features:
- RGBW 4-in-1 Colors
 - Pixel Control
 - Power and Data daisy chain
 - Compact size

Led Light Bar 12 Pixel
42197 RGBW



Technical Information			
Output:		Optical system:	
Lux @2m:	500	Dimmer:	0-100%
Light Source:		Strobe:	0-20Hz
LED System:	12x 4W RGBW	Beam Angle:	30°
Drive Current:	100mA	Physical:	
Refresh rate:	2Khz	Dimensions:	1070 x 65 x 88 mm
Electrical:		Weight:	2kg
Power Supply:	100-240V AC	Housing:	Aluminum
Power Consumption:	20W	Color:	Black
Control:		Power Connectors:	IEC
Control Mode:	DMX512	Data Connectors:	XLR 3pole
DMX channels:	3, 4, 6, 48	Cooling:	Aluminum heatsink
		Certification and Safety	
		Certification:	CE
		Max. ambient Temp.:	40°C



- Special features:
- Convection cooling
 - IP65 Rating
 - Multivoltage Powersupply

Cameleon Bar 24/1 UV
42685 IP-65



Technical Information			
Lux (@ 2 meter)	UV 24	Housing:	Die Cast Aluminium
Max distance:	10m	Colour:	Powder Coat Finish Black
LED Quantity:	24 pieces UV LED	Lens Plate:	Tempered Glass
Drive current:	500mA	DMX Connection	Dedicated IP65 connector.
Input-voltage:	100-240VAC...50/60Hz		Dedicated IP65 Powerconnector
Power Consumption:	70W @FO	Cooling:	Convection (no fans)
Display:	LED display for auto and custom control	IP Rating:	IP65
Control:	DMX-512, Auto, Master/Slave	Dimensions:	1110 x 128 x 120 mm
	100%	Weight:	6,1 kg
	20Hz	Refreshrate:	7,8 KHz
	5 degrees	Accessories:	Schuko to IP powercable



EventLITE 7/4

44005 incl. Wireless DMX, Black



Technical Information			
Output:		Pan/Tilt resolution:	16 bit
Lux @ 5m:	20650 lux	Gobos & Color Gobo:	13 metal gobos + open (not replaceable)
Beam Angle:	8°	Gobo functions:	Gobo-flow effect, Gobo shake
Light Source:	30W	Colors:	7 dichroic-filters + white
Electrical		Color functions:	Rainbow-flow effect
Input Voltage:	100-240V, 50/60Hz	Physical Color:	Black
Power consumption:	65W max. at full output	Housing:	Metal & Flame-retardant plastic
Control		Data Connections:	XLR 3p Data in- & output
On-Board:	Display for DMX, Auto, Sound & Master/Slave settings	Power Connections:	Pro Power in- & output
Control Protocol:	DMX512	Dimensions (WxDxH):	245 x 241 x 406 mm
Control Personality:	6, 11 Channels	Dimensions:	342 x 150 x 316 mm
Optical system		Weight:	5,7 kg
Dimmer:	0-100%	Certification and Safety	
Strobe:	0-20Hz	Certification:	CE
Movement		Max. ambient Temp.:	40°C
Pan:	540°		
Tilt:	270°		



- Special features:
- Battery operated 6 hours
 - RGBW 4-in-1 LEDs
 - Wireless DMX functionality
 - Controllable by optional IR-remote



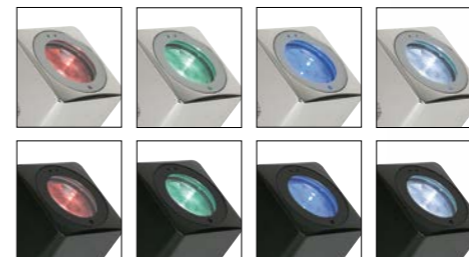
Eventspot 60 Q7

42727 Polished

42726 Black



Technical information:	
Lightsources:	7 LED (RGBWA-UV-Lime)
Drive current:	700mA
Beam Angle:	4,5° to 45°
Field Angle:	8° to 55°
Input voltage:	24V DC (Dedicated adaptor)
Power:	20 (Max)
Output (4,5°):	1400 Lux @ 2 meter
Output (45°):	68 lux @ 2 meter
Dimmer:	0-100%
Strobe:	0-25Hz
Control protocol:	DMX-512
Control personality:	HSiC, SSP, TR16)
DMX Channels:	6, 11 or 19
Dimensions:	104 x 104 x 147 mm
Weight:	1kg
Housing:	Plastic extrusion
Colour:	Black either Polished
Fixture connection:	24VDC connection
Cooling:	Convection
Operating temperature:	-20°C - 45°C



- Special features:
- Wide zoom range
 - RGBWA-UV-Lime colormixing
 - WDMX
 - Compact size



- Special features:
- 7x 4W LEDs
 - RGBW 4-in1 Colormix
 - Flat stylish design
 - Double bracket



Compact Par 7 Q4
42582



Technical Information			
Output Lux @2m:	2201	Optical system Dimmer:	0-100%
		Strobe:	0-20Hz
		Beam Angle:	15°
Light Source LED System:	7 x 4W RGBW LED	Physical Dimensions:	285 x 267 x 153 mm
Drive Current:	330mA	Weight:	2,4 kg
Refresh rate:	7,8KHz	Housing:	Aluminum and Iron
Electrical Power Supply:	100-240V AC	Color:	Black
Power Consumption:	32W	Power Connectors:	IEC
Control Control Mode:	DMX512, Sound, Stand-alone, Master/slave	Data Connectors:	XLR 3pole
DMX channels:	4,6,11	Cooling:	Aluminum heat sink
		Certification and Safety Certification:	CE
		Max. ambient Temp.:	40°C



- Special features:
- COB Technology
 - Included Fresnel lens
 - RGBW colors
 - Double bracket and Rubber feet



Compact Par 60 COB RGBW
42583



Technical Information			
Output Lux @2m:	1833	Optical system Dimmer:	0-100%
		Strobe:	0-20Hz
		Beam Angle:	20° & 120°
Light Source LED System:	1 x 60W RGBW COB LED	Physical Dimensions:	263 x 142 x 283 mm
Drive Current:	450mA	Weight:	2,4 kg
Refresh rate:	12KHz	Housing:	Aluminum and Iron
Electrical Power Supply:	100-240V AC	Color:	Black
Power Consumption:	64W	Power Connectors:	IEC in- & output
Control Control Mode:	DMX512	Data Connectors:	XLR 3pole
DMX channels:	4,6,11	Cooling:	Fan
		Certification and Safety Certification:	CE
		Max. ambient Temp.:	40°C



- Special features:
- COB RGBW LED
 - Die cast housing
 - 3&5p XLR connections
 - 60° Beam angle



Helios 200 COB Q4
43715



Technical Information			
Output Lux @2m:	2036	Dimmer:	0-100%
		Strobe:	0-20Hz
		Beam Angle:	60°
Light Source LED System:	1x 200W COB RGBW	Physical Dimensions:	269 x 204 x 437 mm
Drive Current:	1700mA	Weight:	5,2 kg
Refresh rate:	12KHz	Housing:	Die cast aluminum
Electrical Power Supply:	100-240V AC	Color:	Black
Power Consumption:	200W	Power Connectors:	Pro Power in- & output
Control Control Mode:	DMX512	Data Connectors:	XLR 3 & 5pole
DMX channels:	4,6,8	Cooling:	Fan
Optical system		Certification and Safety Certification:	CE
		Max. ambient Temp.:	40°C



Spectral PC 600Z IP
43551



Technical Information			
Light source:	1 LED (RGBW) 60W,	Dimensions:	242 x 242 x 345,5mm
Drive current:	4A	Weight:	4,5kg
Beam Angle:	4,5° to 45°	Housing:	Die cast aluminium
Field Angle:	8° to 55°	Colour:	Black
Input voltage:	90-2240V AC	Fixture connection:	IP65 3-pole XLR connectors,
Power:	85 (Max)		IP-65 Power connector
Output (4,5°):	19200 Lux @ 2 meter	Cooling:	Convection
Output (45°):	560 lux @ 2 meter	Operating temperature:	-20°C - 45°C
Selectable PWM:	600 Hz, 1200 Hz, 2000 Hz, 2400 Hz, 6000 Hz, 25000 Hz.		
Dimmer:	0-100%		
Strobe:	0-25Hz		
Control protocol:	DMX-512		
Control personality:	HSIC, SSP, TOUR, TR16, STD.Y)		
DMX Channels:	9, 12 or 17		



- Special features:
- Wide zoom range
 - RGBW colormixing
 - Fast zoom
 - IP65 rated

Nanoq 19 IP
43712



Technical Information			
Light Source LED System:	19 x 10W RGBW LEDs	Strobe:	0-20Hz
Refreshrate:	1K Hz	Beam Angle:	6°-60°
Driver current:	750mA/color	Physical Dimensions: (excl brackets)	240 x 240 x 270 mm
Backlight System:	21 x RGB 5050 SMD	Weight:	7,4 kg
Output@2m:	29300lux (6°)	Housing:	Di-cast powder coated
Electrical Power Supply:	AC 100-240V 50/60 Hz	Color:	Black
Power Consumption:	220W	Power Connections:	Powercon True1
Control Control Mode:	Auto/ built-in programs,	Data Connections:	XLR 3 & 5 pole
DMX channels:	5,6,7,8,9,10,14ch	Cooling:	Forced
Optical system Dimmer:	0-100%	Safety Certification:	CE
		Operation temperature:	-10 - 40°C
		IP-Rating:	IP-54

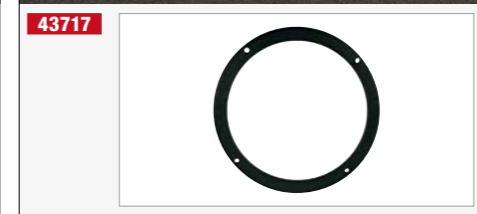


- Special features:
- Extensive zoom range
 - Clear Lens plate
 - RGB backlight glare effect
 - IP-54 Protection rate

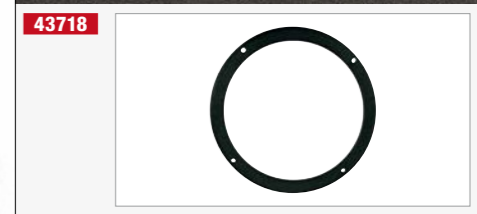
Barndoor for Helios COB 200W Q4
43716



15° Diffuser for Helios COB 200W Q4
43717



30° Diffuser for Helios COB 200W Q4
43718



- Special features:**
- Compact Housing
 - Wireless DMX as standard
 - IP-54 rating
 - LED Engin Source

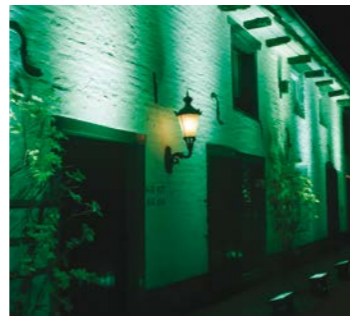


Helix 4000 Q4
43721 40 x 10W 45°



Technical information:

Light Source	40 x RGBW 4-in-1 10W LEDs
LED System:	54000lux
Output@2m:	3.0 Khz
Refreshrate:	
Electrical	
Power Supply:	AC 100-240V 50/60 Hz
Power Consumption:	390W
Control	
Control Mode:	Auto/ build-in programs, Master/slave, DMX
DMX channels:	4, 6, 8ch
Optical system	
Dimmer:	0-100%
Strobe:	0-20Hz
Beam Angle:	45°
Physical	
Dimensions:	532 x 320 x 122 mm
Weight:	9,5 kg
Housing:	Die-cast aluminium
Color:	Black
Power Connectors:	Powercon True1
Data Connectors:	XLR-HD 3 pole
Cooling:	Forced-air
Safety	
Operation temperature:	-10~40°C
IP-Rating:	IP-54



- Special features:**
- LED Lightsource
 - Wide Electric Zoom Range
 - > CRI 90
 - Colourtemperature 3200K

Performer 2000 Fresnell DDT
33039

Technical information:

Lightsource:	16 pieces
LED Quantity:	3A
Drive Current:	600Hz
Refresh rate:	
Electrical:	
Input voltage:	100-240V AC
Power consumption:	195W
Control:	
On-board:	Dimmer
Control protocol:	DMX512
DMX Personality:	1,2,5 Ch
Optical System:	Dimmer 0-100%
Motorized Zoom:	13 - 41 degrees
Field angle:	25 - 76 degrees.
Physical:	
Dimensions:	417 x 286 x 260 mm
Weight:	6.6 kg
Housing:	Extruded Aluminium
Color:	Black
Fixture connection:	Power In/Out
Cooling:	Forced - Air convection - Silent fan
Output:	
Max. Flux:	5300 Lumen
Peak Intensity:	41900 cd
Color Rendering:	>90Ra
Color Temperature:	3200K



- Special features:**
- 19 x 10W LED Lightsource
 - 3 & 5 pole DMX control
 - Colourtemperature 3100K

Performer Profile 600 LED MKII
33062 body without lens

Technical information:

Light source:	19 x 10W
LED quantity:	1200Hz
Refresh rate:	6522 Lumen
Max. Flux:	71900 cd
Peak Intensity:	>90Ra
Color rendering:	3200K
Color temperature:	
Electrical:	
Input voltage:	100-240V
Max. Power:	270W
Control:	
On board: Dimmer:	0-100%
Dim curve:	Dimm4 technology, 4 presets
Physical:	
Dimensions:	720 x 380 x 340 mm
Weight:	9,6 kg
Housing:	Die-cast aluminium
Color:	Black
Fixture connection:	DMX In/Out, Power In/Out
Cooling:	Forced - Air convection - Silent Fan



Zoom Lens for mini Profile



Lens for Performer Profile



Iris for Performer Serie



Gobo Holder for Performer serie





Kanjo Spot 60
45011

Technical information:

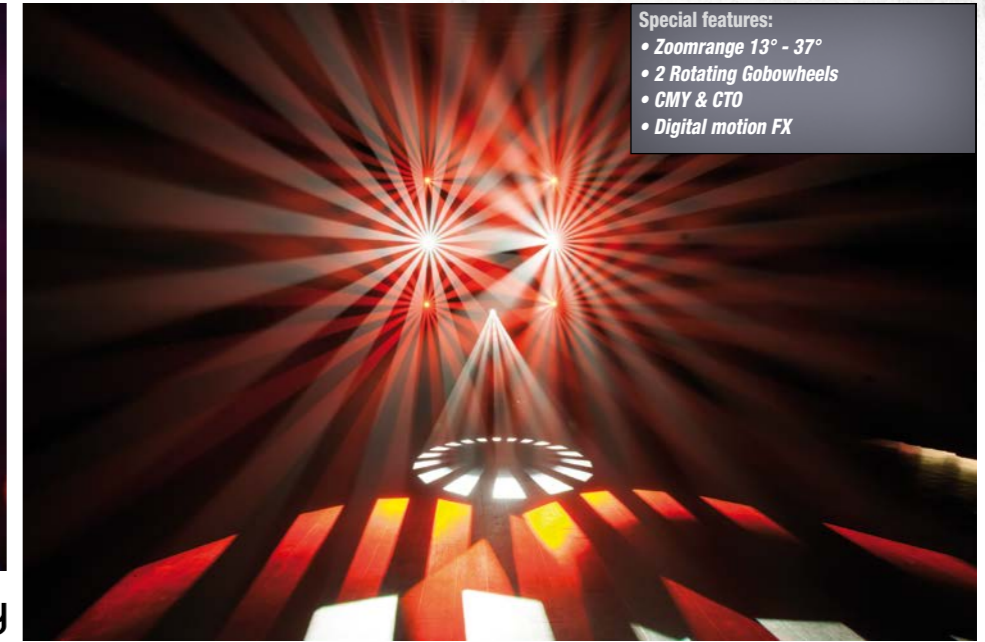
Output:	16400
Lux@1m:	18°
Beam Angle:	60W LED Source, 7500k
Light Source:	
Electrical:	
Input voltage:	100-240V / 50-60Hz (auto ranging)
Power consumption:	70W at full output
Control:	
On Board:	LED Display
Mode:	DMX, Sound, Master/Slave
Control protocol:	DMX-512, 8/10 Ch
Control personality:	DMX, Auto, Master/Slave, Sound
Optical system:	
Dimmer:	0-100%
Strobe:	0-20Hz
Focus:	Manual
Movement:	
Pan:	540°
Tilt:	230°
Pan/Tilt resolution:	16 bit
Physical:	
Color:	Black
Housing:	Metal & Flame retardant plastic
Fixture connections:	XLR 3p Data in/out, IEC input
Dimensions:	145 x 160 x 265 mm
Weight:	3 kg
Certification and Safety:	
Certification:	CE
Max. ambient temp:	40°



is-400
41504 400W LED Spot **infinity** INTELLIGENT LIGHT

Technical information:

Output:	16000 (13°)
Lux @ 5m:	13° - 37°
Beam Angle:	440W White LED (LumiEngin)
Light Source:	
Electrical:	
Input Voltage:	100-240 VAC
Power consumption:	650W max. at full output
Control:	
On-Board:	Battery powered full color display including gravity sensor max 30 days (full charge)
Battery lifetime:	DMX, Auto & Master/Slave
Mode:	DMX512
Control Protocol:	Advanced 38ch / Basic 28ch optional available
Control Personality:	
Wireless DMX:	
Optical system:	
Dimmer:	0-100%
Strobe:	0-20Hz
Focus:	Motorized autofocus
Iris:	Motorized 0-100%
Zoom:	Motorized
Prism:	3-facet rotating prism
Frost filter:	Yes
Animation:	Digital motion FX
Movement:	
Pan:	540°
Tilt:	270°
Pan/Tilt resolution:	16 bit
Pan/Tilt modes:	Speed / Smooth
Special:	Pan/ Tilt, Color,Gobo change blackout, User-selectable Pan & Tilt ranges, 540°/360°/180°, 270°/180°/90°, Reverse Pan / Tilt movement
Gobos & Colors:	
Rotating Gobowheel 1:	6 Glass
Rotating Gobowheel 2:	6 Glass
Gobo functions:	Gobo-flow effect,Gobo shake
Rotation:	Bi-directional
Gobo 1:	inner diameter: 28mm
Gobo 2:	inner diameter: 26mm
Gobo outer diameter:	32mm
Colorwheel:	7 dichroic-filters + white
Color:	0-100%
CTO:	0-100%
Color functions:	Split colors, Rainbow-flow effect, CMY Macros
Physical:	
Color:	Black
Housing:	Metal & Flame-retardant plastic
Data Connection:	XLR 3&5p & RJ-45 in- & output
Power connection:	Powercon input
Dimensions (WxDxH):	346 x 417 x 616 mm
Weight:	35kg
Certification and Safety:	
Certification:	CE
Max. ambient Temp.:	40°C



Expression 550S
41394

Technical information:

Light source:	1 LED (RGBW) 60W
Drive current:	4.5A
Beam Angle:	12°
Input voltage:	90-240V AC
Power:	130W (Max)
Output (12°):	4400 Lux @ 2 meter
Dimmer:	0-100%
Strobe:	0-25Hz
Control protocol:	DMX-512
Control personality:	HSIC, PERSON 1, PERSON 2, CMY)
DMX Channels:	16, 16, 17, 23 channels
Pan movement:	continuous
Tilt movement:	270°
Pan/Tilt resolution:	16 bit
Gobo's:	8 + white
Colors:	Unlimited
Focus:	Motorized
Prism:	3 Facet Prism
Dimensions:	210 x 250 x 353 mm
Weight:	7.2 kg
Housing:	Plastic extrusion
Colour:	Black
Fixture connection:	Powercon in- and output.
Cooling:	3 Pole XLR in- and output
Operating temperature:	Forced
Focus:	Motorized
Prism:	3 Facet Prism
Dimensions:	210 x 250 x 353 mm
Weight:	7.2 kg
Housing:	Plastic extrusion
Colour:	Black
Fixture connection:	Powercon in- and output.
Cooling:	3 Pole XLR in- and output
Operating temperature:	Forced

Technical information:

Output:	16000 (13°)
Lux @ 5m:	13° - 37°
Beam Angle:	440W White LED (LumiEngin)
Light Source:	
Electrical:	
Input Voltage:	100-240 VAC
Power consumption:	650W max. at full output
Control:	
On-Board:	Battery powered full color display including gravity sensor max 30 days (full charge)
Battery lifetime:	DMX, Auto & Master/Slave
Mode:	DMX512
Control Protocol:	Advanced 38ch / Basic 28ch optional available
Control Personality:	
Wireless DMX:	
Optical system:	
Dimmer:	0-100%
Strobe:	0-20Hz
Focus:	Motorized autofocus
Iris:	Motorized 0-100%
Zoom:	Motorized
Prism:	3-facet rotating prism
Frost filter:	Yes
Animation:	Digital motion FX
Movement:	
Pan:	540°
Tilt:	270°
Pan/Tilt resolution:	16 bit
Pan/Tilt modes:	Speed / Smooth
Special:	Pan/ Tilt, Color,Gobo change blackout, User-selectable Pan & Tilt ranges, 540°/360°/180°, 270°/180°/90°, Reverse Pan / Tilt movement
Gobos & Colors:	
Rotating Gobowheel 1:	6 Glass
Rotating Gobowheel 2:	6 Glass
Gobo functions:	Gobo-flow effect,Gobo shake
Rotation:	Bi-directional
Gobo 1:	inner diameter: 28mm
Gobo 2:	inner diameter: 26mm
Gobo outer diameter:	32mm
Colorwheel:	7 dichroic-filters + white
Color:	0-100%
CTO:	0-100%
Color functions:	Split colors, Rainbow-flow effect, CMY Macros
Physical:	
Color:	Black
Housing:	Metal & Flame-retardant plastic
Data Connection:	XLR 3&5p & RJ-45 in- & output
Power connection:	Powercon input
Dimensions (WxDxH):	346 x 417 x 616 mm
Weight:	35kg
Certification and Safety:	
Certification:	CE
Max. ambient Temp.:	40°C



Special features:

- Motorized Zoom
- Clear Lens with RGB backlight
- Continuous Pan & Tilt
- IFS Technology



DMX CONTROLLABLE **ROTATING** **DUAL 110V/230V** **IFS TECHNOLOGY** **4 in 1**

Phantom 120 LED Wash
40030

Technical information:

Output
Lux @ 2m: 14300lux (5°)
Beam Angle: 5-60°
Light Source: 12 x 10W RGBW LEDs
Backlight System: 21 x RGB 5050 SMD

Electrical
Input Voltage: 100-240 VAC
Power consumption: 135W max. at full output

Control
On-Board: Display including gravity sensor
Mode: DMX, Auto, Sound & Master/Slave
Control Protocol: DMX512
Control Personality: 10, 16, 26 Channels

Optical system
Dimmer: 0-100%
Dimmer curves: Linear, Square, I-Square, S curve
Strobe: 0-20Hz
Zoom: Motorized

Movement
Pan: 540°
Tilt: 270°
Pan/Tilt resolution: 16 bit
Special: Pan/ Tilt reverse & Black out by DMX

Physical
Color: Black
Housing: Metal & Flame-retardant plastic
Data Connections: XLR 3p Data in- & output
Power Connections: Pro power in- & output
Dimensions (WxDxH): 335 x 220 x 395 mm
Weight: 6,9 kg

Certification and Safety
Certification: CE
Max. ambient Temp.: 40°C

Saber
45053

Technical information:

Output
Beam Angle: 4°
Light Source: 1x60 W RGBW LED

Electrical
Input Voltage: 100-240 VAC
Power consumption: 70W max. at full output

Control
On-Board: Display including gravity sensor
Mode: DMX, Auto, Sound & Master/Slave
Control Protocol: DMX512
Control Personality: 8, 13, 18 Channels

Optical system
Dimmer: 0-100%
Dimmer curves: Linear, Square, I-Square, S curve
Strobe: 0-20Hz

Movement
Pan: 540° & Continuous
Tilt: 270° & Continuous
Pan/Tilt resolution: 16 bit

Physical
Color: Black
Housing: Metal & Flame-retardant plastic
Data Connections: XLR 3p Data in- & output
Power Connections: Pro Power in- & output
Dimensions (DxH): 215x 330mm
Weight: 5,2 kg

Certification and Safety
Certification: CE
Max. ambient Temp.: 40°C

Special features:

- Continuous pan & tilt
- 94mm 4° Lens
- 60W RGBW LED
- Extreme fast movements



IFS TECHNOLOGY **DUAL 110V/230V** **DMX CONTROLLABLE** **ROTATING** **4 in 1**

Special features:

- 2-in-1 Beam effect
- Rotating lens dish
- Easy rigging
- Built-in rotate macros



DMX CONTROLLABLE **STROBE EFFECT** **DUAL 110V/230V** **4 in 1**

Juno
45052

Technical information:

Output
Lux @ 2m: 9730 lux
Beam Angle: 8°
Light Source: 6x 9W RGBW LEDs
Drive current: 750mA

Electrical
Input Voltage: 100-240 VAC
Power consumption: 120W max. at full output

Control
On-Board: 16 Digit LCD Display
Mode: DMX, Manual, Sound & Master/Slave
Control Protocol: DMX512
Control Personality: 9, 14 Channels

Optical system
Dimmer: 0-100%
Dimmer curves: Linear, Square, I-Square, S curve
Strobe: 0-20Hz

Movement
Pan: 540°
Tilt: 270°
Pan/Tilt resolution: 16 bit

Physical
Color: Black
Housing: Metal & Flame-retardant plastic
Data Connections: XLR 3p Data in- & output
Power Connections: IEC in- & output
Dimensions (WxDxH): 260x 150 x 320 mm
Weight: 5 kg

Certification and Safety
Certification: CE
Max. ambient Temp.: 40°C

Expression 600Z
41393

Technical information:

Light source: 1 LED (RGBW) 60W
Drive current: 4.5A
Beam Angle: 4,5° to 45°
Field Angle: 8° to 55°
Input voltage: 90-240V AC
Power: 110W (Max)
Output (4,5°): 20.800 Lux @ 2 meter
Output (45°): 600 lux @ 2 meter
Dimmer: 0-100%
Strobe: 0-25Hz
Control protocol: DMX-512
Control personality: HSIC, PERSON 1, PERSON 2
Pan movement: continuous
Tilt movement: 270°
Pan/Tilt resolution: 16 bit
Zoom: Motorized
DMX Channels: 12, 14 or 20
Dimensions: 210 x 210 x 340 mm
Weight: 4kg
Housing: Plastic extrusion
Colour: Black
Fixture connection: Powercon in- and output.
3 Pole XLR in- and output
Cooling: Forced
Operating temperature: -20°C - 45°C

Special features:

- Wide zoom range
- RGBW colormixing
- Continuous Pan movement
- Compact size



DUAL 110V/230V **STROBE EFFECT** **DMX CONTROLLABLE** **ROTATING** **4 in 1**

Special features:

- 30W Beam effect
- 14 Beam FX Gobos
- 7 Dichroic colors
- Built-in programs



LED TECHNOLOGY **DMX CONTROLLABLE** **STROBE EFFECT** **DUAL 110V/230V**

Phantom 30 LED Beam
40050

Technical information:

Output	
Lux @ 5m:	20650 lux
Beam Angle:	8°
Light Source:	30W
Electrical	
Input Voltage:	100-240V, 50/60Hz
Power consumption:	65W max. at full output
Control	
On-Board:	Display for DMX, Auto, Sound & Master/Slave settings
Control Protocol:	DMX512
Control Personality:	6, 11 Channels
Optical system	
Dimmer:	0-100%
Strobe:	0-20Hz
Movement	
Pan:	540°
Tilt:	270°
Pan/Tilt resolution:	16 bit
Gobos & Color	
Gobo:	13 metal gobos + open (not replaceable)
Gobo functions:	Gobo-flow effect, Gobo shake
Colors:	7 dichroic-filters + white
Color functions:	Rainbow-flow effect
Physical	
Color:	Black
Housing:	Metal & Flame-retardant plastic
Data Connections:	XLR 3p Data in- & output
Power Connections:	Pro Power in- & output
Dimensions (WxDxH):	245 x 241 x 406 mm
Dimensions:	342 x 150 x 316 mm
Weight:	5,7 kg
Certification and Safety	
Certification:	CE
Max. ambient Temp.:	40°C

Phantom 300 LED Matrix
40060

Technical information:

Output:	
Lux @ 2m:	44950 lux
Beam Angle:	15°
Light Source:	25x10W RGBW 4-in-1
Electrical:	
Input voltage:	100-240V / 50-60Hz (auto ranging)
Power consumption:	700W at full output
Control:	
On Board:	Display including gravity sensor
Mode:	DMX, Auto, Sound, Master/Slave
Control protocol:	DMX-512, Artnet
Control personality:	12, 20,120 Channels
Optical system:	
Dimmer:	0-100%
Dimmer curves:	Linear, Square, I-Square, S curve
Strobe:	0-20Hz
Movement:	
Pan:	540° & Continuous
Tilt:	270° & Continuous
Pan/Tilt resolution:	16 bit
Special:	Pan/ Tilt reverse & Black out by DMX
Physical:	
Color:	Black
Housing:	Metal & Flame retardant plastic
Data connections:	XLR 3p & RJ-45
Power connections:	Pro power in- & output
Dimensions:	360 x 230 x 480 mm
Weight:	13 kg
Certification and Safety:	
Certification:	CE
Max. ambient temp:	40°

Special features:

- 25x 10W RGBW LEDs
- DMX & Artnet
- Pixel control
- Continuous pan & tilt



IFS TECHNOLOGY **CONTINUOUS ROTATING** **PIXEL CONTROL** **ART-NET** **4 in 1**

Special features:

- 7x 10W RGBW LEDs
- 60mm 5° Optics
- Compact Powerful Beam
- IFS Technology



DMX CONTROLLABLE **STROBE EFFECT** **DUAL 110V/230V** **IFS TECHNOLOGY**

Phantom 70 LED Beam
40051

Technical information:

Output	
Lux @ 2m:	27150lux
Beam Angle:	5°
Light Source:	7 x 10W RGBW LEDs
Electrical	
Input Voltage:	100-240 VAC
Power consumption:	80W max. at full output
Control	
On-Board:	Display including gravity sensor
Mode:	DMX, Auto, Sound & Master/Slave
Control Protocol:	DMX512
Control Personality:	8, 12, 16 Channels
Optical system	
Dimmer:	0-100%
Dimmer curves:	Linear, Square, I-Square, S curve
Strobe:	0-20Hz
Movement	
Pan:	540°
Tilt:	270°
Pan/Tilt resolution:	16 bit
Special:	Pan/ Tilt reverse & Black out by DMX
Physical	
Color:	Black
Housing:	Metal & Flame-retardant plastic
Data Connections:	XLR 3p Data in- & output
Power Connections:	Pro power in- & output
Dimensions (WxDxH):	245 x 241 x 382 mm
Weight:	6,3 kg
Certification and Safety	
Certification:	CE
Max. ambient Temp.:	40°C

Phantom 360 LED Bar
40061

Technical information:

Lux @ 2m:	20740 lux
Beam Angle:	5°
Light Source:	6x10W RGBW LEDs
Electrical	
Input Voltage:	100-240 VAC
Power consumption:	100W max. at full output
Control	
On-Board:	Display including gravity sensor
Mode:	DMX, Auto, Sound & Master/Slave
Control Protocol:	DMX512
Control Personality:	10, 12, 14, 31, 35
Optical system	
Dimmer:	0-100%
Dimmer curves:	Linear, Square, I-Square, S curve
Strobe:	0-20Hz
Movement	
Pan:	540° & Continuous
Tilt:	270°
Pan/Tilt resolution:	16 bit
Special:	Pan/ Tilt reverse & Black out by DMX
Physical	
Color:	Black
Housing:	Metal & Flame-retardant plastic
Data Connections:	XLR 3p Data in- & output
Power Connections:	Pro power in- & output
Dimensions (WxDxH):	590 x 253 x 150 mm
Weight:	8 kg
Certification and Safety	
Certification:	CE
Max. ambient Temp.:	40°C

Special features:

- 6x 10W RGBW LEDs
- 60mm 5° Optics
- Continuous Pan
- IFS Technology



IFS TECHNOLOGY **DUAL 110V/230V** **CONTINUOUS ROTATING** **DMX CONTROLLABLE** **4 in 1**

Special features:

- Continuous Pan & Tilt movement
- Additional double Y-Axis movements
- Pixel control
- RGB & CMY Color mode



4 in 1 CONTROL ROTATING EFFECT 110V/230V

iFX-615
41551



Technical information:

Output	440 lm per pixel
Lumen:	4.5°
Beam Angle:	Osram Ostar 6x15W RGBW 4-in-1
Light Source:	
Electrical	
Input voltage:	100-240V / 50-60Hz (auto ranging)
Power consumption:	250W at full output
Control	
On Board:	Battery powered full color display including gravity sensor
Mode:	DMX, Auto, Master/Slave
Control protocol:	DMX-512
Control personality:	Advanced 49 ch / Basic 25ch optional available
Wireless DMX:	
Optical system	
Dimmer:	0-100%
Dimmer curves:	Linear, Square, I-Square, S curve
Dimmer speed:	Smooth, Fast
Color balance:	Separate RGBW adjustment
Strobe:	0-20Hz
Movement	
Pan:	540° and continuous
Tilt:	270° and continuous
Y-axis 1&2:	-15° / + 15°
Pan/Tilt resolution:	16 bit
Special:	Pan/Tilt change black out, User selectable Pan & Tilt ranges, 540°/360°/180°, Reverse Pan / Tilt movement
Physical	
Color:	Black
Housing:	Metal & Flame retardant plastic
Data connections:	XLR 3p in/out
Power connections:	Powercon in- output
Dimensions:	600 x 203 x 310 mm
Weight:	10kg
Certification and Safety	
Certification:	CE
Max. ambient temp.:	40°

Galaxy 360
45054

Technical information:

Output	4°
Beam Angle:	12x 9W RGBW LED
Light Source:	
Electrical	
Input Voltage:	100-240 VAC
Power consumption:	230W max. at full output
Control	
On-Board:	Display including gravity sensor
Mode:	DMX, Auto, Sound & Master/Slave
Control Protocol:	DMX512
Optical system	
Dimmer:	0-100%
Dimmer curves:	Linear, Square, I-Square, S curve
Strobe:	0-20Hz
Movement	
Pan:	540° & Continuous
Ball:	360° & Continuous
Pan/Tilt resolution:	16 bit
Physical	
Color:	Black
Housing:	Metal & Flame-retardant plastic
Data Connections:	XLR 3&Sp Data in- & output
Power Connections:	Pro Power in- & output
Dimensions (WxDxH):	335 x 150 x 400mm
Weight:	7 kg
Certification and Safety	
Certification:	CE
Max. ambient Temp.:	40°C

Special features:

- Continuous pan & ball rotation
- 60mm 4° Lenses
- 12 individual RGBW LEDs
- Built-in color chases



DUAL STROBE CONTINUOUS PIXEL **4 in 1** 110V/230V EFFECT ROTATING CONTROL

Special features:

- Continuous Pan & Tilt movement
- Continuous Bi-directional Dish rotation
- Pixel control
- Powerful 5° beams



DMX PIXEL CONTINUOUS **DUAL** 4 in 1 CONTROLLABLE CONTROL ROTATING 110V/230V

Astro 360 XL
43024 Q4 RGBW

Technical information:

Output	265 lm/each LED
Lumen:	5°
Beam Angle:	8x12W RGBW 4-in-1
Light Source:	
Dimmer:	0-100%
Strobe:	0-20Hz
Electrical	
Input voltage:	100-240V / 50-60Hz (auto ranging)
Power consumption:	210W at full output
Control	
On Board:	LCD Display
Mode:	DMX, Auto, Master/Slave, Sound, IR, Manual
Control protocol:	DMX-512
Control personality:	Advanced 52 ch / Basic 20ch
Movement	
Pan:	540° and continuous
Tilt:	180° and continuous
Dish:	Bi-directional Dish rotation
Pan/Tilt resolution:	16 bit
Special:	Pan/Tilt change black out, User selectable Pan & Tilt ranges, 540°/360°/180°, Reverse Pan / Tilt movement
Physical	
Color:	Black
Housing:	Metal & Flame retardant plastic
Fixture connections:	XLR 3p Data in/out, IEC in- output
Dimensions:	354 x 354 x 430 mm
Weight:	7.5kg
Certification and Safety	
IP-Rating:	IP-20
Certification:	CE
Max. ambient temp.:	40°

Airstrike
43158 5R Quad Beam Effect

Technical information:

Power Supply:	90-250V,50/60Hz
Input voltage:	5A T250V
Fuse:	230W
Power Consumption:	5R
Lamp:	DMX512,Sound,Auto,Master/Slave
Control:	16 CH
DMX personality:	linear 0-100%
Dimmer:	7 colors + white
Color wheel:	14 metal gobos + white
Gobo wheel:	4pcs
Mirror:	1-5 Hz or pulse mode strobe
Strobe:	unlimited
Rotation angle:	60°
mirror angle:	352.5x231x298mm (LxWxH)
Dimensions:	10.9Kg
Net Weight:	

Special features:

- High Light output
- DMX Control
- Compact size
- Razor-sharp beams



STROBE DMX 4 in 1 CONTROLLABLE EFFECT

- Special features:**
- DMX control
 - Temp controlled fan
 - 14° - 22° Zoom range
 - Framing shutters
 - Accepts round & square gobos



Imagespot 75W
40713 Black

Technical Information			
Output	8790	Colors:	8 dichroic-filters + white
Lux@2m 14°:	3680	Color functions:	Split colors, Rainbow-flow effect
Lux@2m 22°:	1x 75W		
LED Source:			
Electrical		Physical	
Input Voltage:	100-240VAC... 50/60Hz	Fixture Connection:	XLR Data in/out, IEC Power in
Power consumption:	115W @FO	Dimensions (WxDxH):	210 x 225 x 340 mm
		Weight:	5,6 kg
Control		Color:	Black
On-Board:	Display for settings & manual control	Housing:	Metal & Flame-retardant plastic
Control Protocol:	DMX512	Power connections:	IEC in/out (max 14 links)
Control Personality:	4Ch	Data connections:	XLR 3&5p in/output
Optical system		Cooling:	Forced Cooling (Fan)
Dimmer:	0-100%	Dimensions (LxWxH):	385 x 283 x 345 mm
Strobe:	0-20Hz	Weight:	3,7kg
Zoom:	Manual 14° - 24°		
Gobos & Colors		Certification and Safety	
Inner Gobo size:	18 mm	IP Rating:	IP-20
Outer Gobo size:	40mm	Certification:	CE
Max Gobo thickness:	1mm	Max. ambient Temp.:	40°C

- Special features:**
- 8 sections
 - Pro Power Connections
 - SMD LEDs
 - Built-in Programs



Data Flash
40296

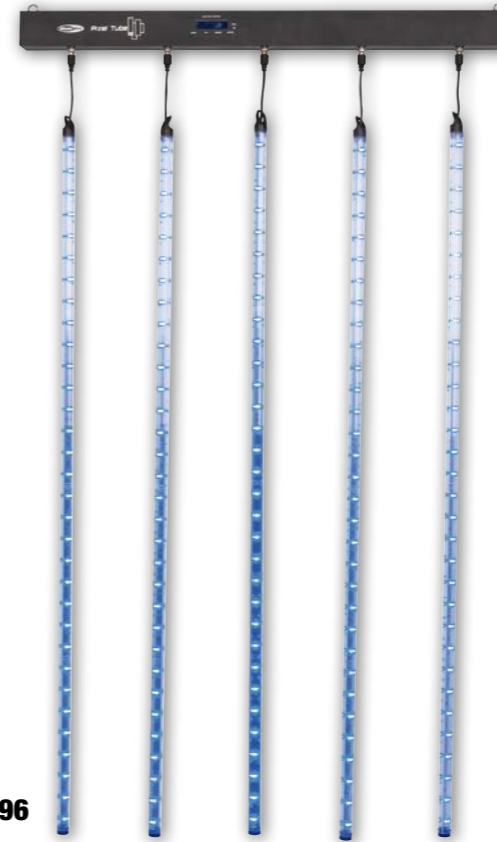
Technical information:	
Power Input:	100-250V AC, 50/60Hz
Power Consumption:	120W
Light source:	SMD LEDs
Control:	Auto, Sound, DMX
DMX Channels:	12
Control Display:	4 Digits LED
Power connector:	Pro Power in- & output
Data Connector:	3p XLR In- & Output
Dimensions:	263 x 81 x 293 mm
Weight:	2,6 Kg

- Special features:**
- 4-in-1 RGBW LEDs
 - T-Bar with built-in controller
 - Stand included
 - Carrying bag included



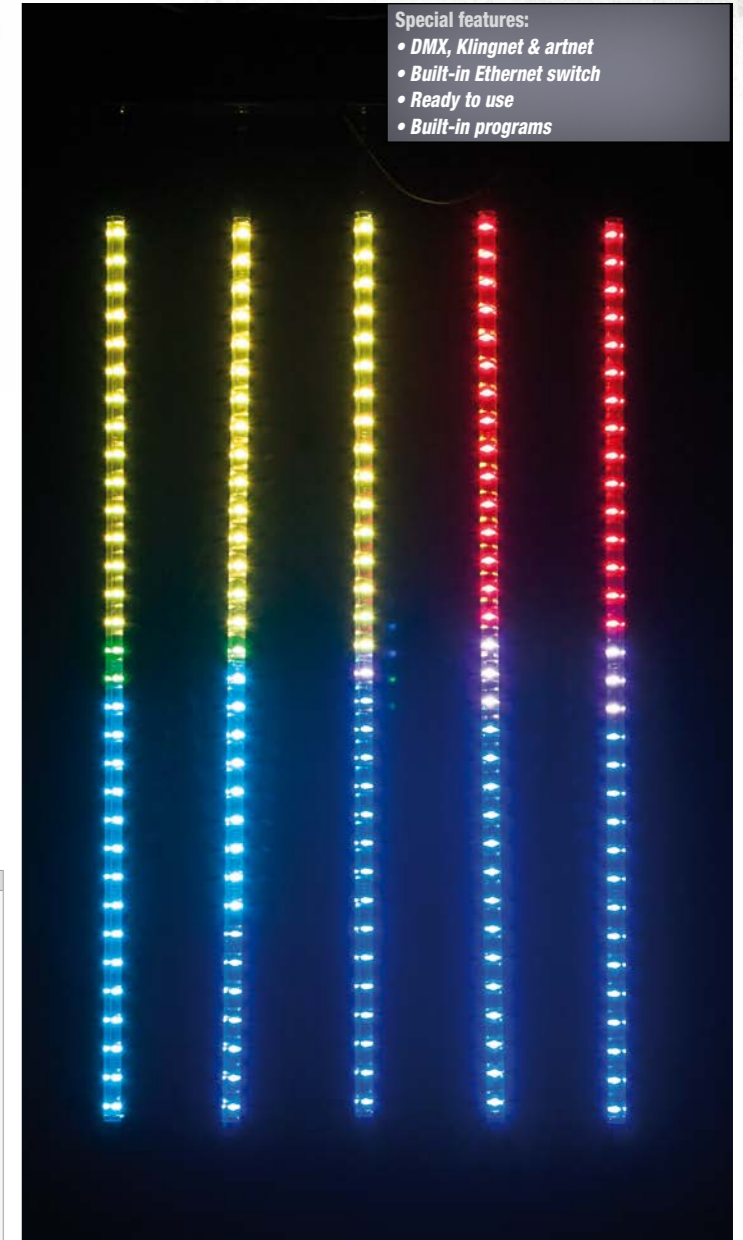
Compact Power Lightset 4 RGBW
30277

Technical information:	
Light Source	5x 4-in-1 RGBW LEDs 4W (per spot)
LED system:	330mA
Drive current:	7,8Khz
Refresh rate:	
Electrical	
Power Supply:	100-240V AC
Power Consumption:	90W
Control	
Control Mode:	DMX512, Sound, Stand-alone, Master/slave / Optional footswitch
DMX channels:	4, 8, 16, 18, 20 Channel modes
Optical system	
Dimmer:	0-100%
Strobe:	0-20Hz
Beam Angle:	25°
Physical	
Housing:	Aluminum and Iron
Color:	Black
Power Connectors:	IEC in and output
Data Connectors:	XLR 3pole in and output
Cooling:	Aluminum heat sink
Footswitch separately available, ordercode: 30267	



Pixel Tube Set 96
41099

Technical information:	
Light source:	5050SMD RGB LED
Pixel Pitch:	45mm
Included tubes:	5
Tube length:	150cm (not extendable)
Beam angle:	360°
Refresh rate:	>500 Hz
Operation:	DMX, Artnet, Klingnet, Artnet
DMX Channels:	12, 150, 225, 300, 375, 425
Power supply:	100-240VAC...50/60Hz
Power consumption:	90W max @FO
Mounting:	top mounting points 3x M8 and 2x M10
Bar Size:	65 x 72 x 1050mm
Operating temperature:	-5°C - +40°C
Cooling:	Convection
Power connection:	Blue/White power connector
Data connection:	RJ45 in/out. Built-in switch
Environment:	IP-20
Weight:	4 kg



- Special features:**
- DMX, Klingnet & artnet
 - Built-in Ethernet switch
 - Ready to use
 - Built-in programs

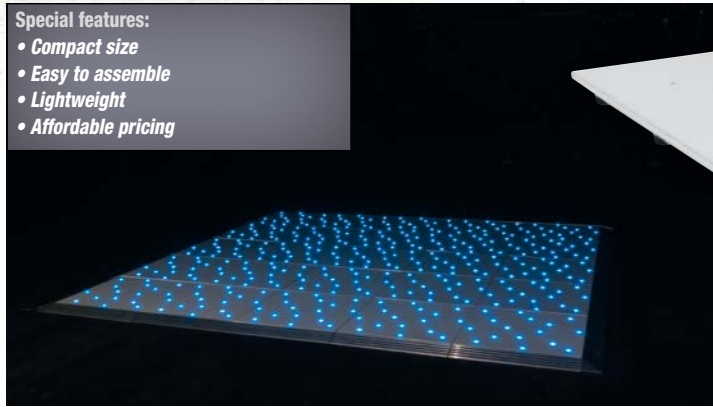
LED Octostrip Set MKII
42230 Section control

Technical Information			
Strips	1m	Outputs:	5p XLR female
Length:	8	Max cable length:	6m
Sections:	8	Data connections:	XLR 3p & RJ-45
Cable length:	1m	Power connections:	Pro power in- & output
Connection:	5p XLR male connector	Dimensions:	360 x 200 x 95 mm
LED system:	5050 RGB	Weight:	2,3 kg
Rigging:	M10 sliding profile	Certification:	CE
Dimensions:	1000 x 30 x 50 mm	Max. ambient temp:	40°
Weight:	1,4 kg		
IP Rating:	IP-20		
Controller			
Input voltage:	100-240V / 50-60Hz (auto ranging)		
Power consumption:	90W at full output		
On Board:	Display		
Modes:	DMX, Auto, Sound, Manual		
Control protocol:	DMX-512, Artnet		
Control personality:	6Ch, 8Ch, 14Ch, 26Ch, 50Ch, 192Ch, 208Ch		
Color:	Black		
Housing:	Metal		



- Special features:**
- 8 strips with 8 RGB Sections
 - 5m extension cables included
 - DMX & Art-net control

- Special features:
- Compact size
 - Easy to assemble
 - Lightweight
 - Affordable pricing

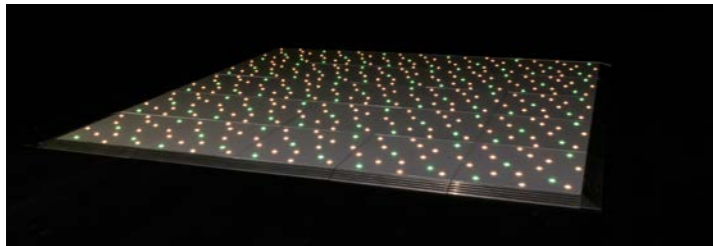
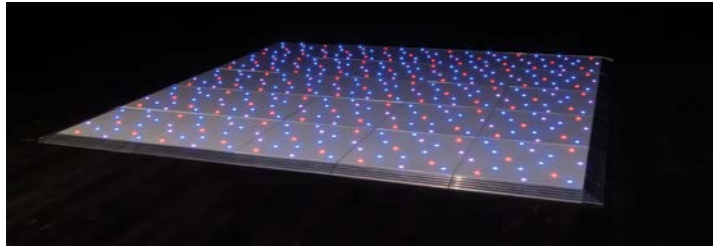


Dancefloor Sparkle RGB

42330

Technical information:

LED Quantity:	16x RGB
LED Type:	5050SMD
Control protocol:	RF
Control:	Programs, Colors, Speed, Brightness.
Panel Size:	607 x 607 x 30 mm
Power consumption:	8W
Panel weight:	8,5 kg
IP rating:	IP20 back, IP44 top.
Max load:	350kg per panel

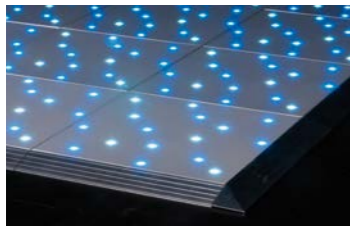


Dancefloor Sparkle PSU

42331

Technical information:

Power input:	90-240V – 50/60Hz
Power consumption:	400W
Power output:	28V DC, 14,3A
Dimensions:	200 x 130 x 100mm
Weight:	3 kg
IP Rating:	IP 20
Power connection:	IEC

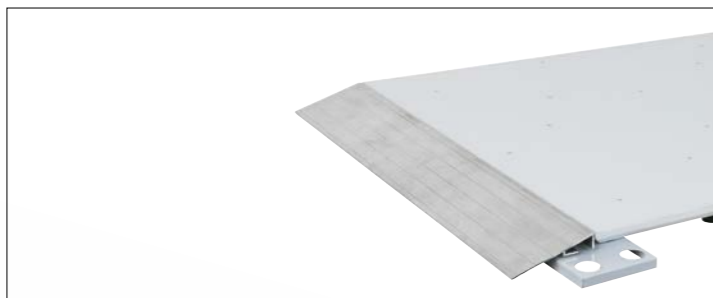


Dancefloor Sparkle DMX Box

42332

Technical information:

Power input:	9V DC / 1000mA (adapter included)
DMX Channels:	5
Control:	Master Dimmer, Programms, Color, Speed, Synchronisation
RF Frequency:	2,4 GHz
Dimensions:	150 x 130 x 40mm



Ramp for Dancefloor Sparkle

42335 61cm

Technical information:

Material:	Aluminium
Dimensions:	607 x 95 x 30 mm



42337 122cm

Technical information:

Material:	Aluminium
Dimensions:	1214 x 95 x 30 mm



Ramp+Corner for Dancefloor Sparkle

42336 61cm with corner

Technical information:

Material:	Aluminium
Corner:	Right side
Dimensions:	700 x 95 x 30 mm



Flexstrip Set RGB

42775 500cm

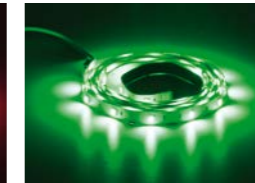
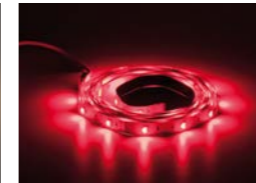
Technical information:

LED:	5050 RGB, 30 LEDs per meter.
Length:	500 cm
Power consumption:	12W
Power supply:	12V, 1A
PCB color:	White, 10mm wide
Beam angle:	120 degrees
IP Rating:	IP20
Included:	Controller, IR remote, Power supply

The Flex-Strip Set should not be used in sealed or hot places. Always mount on an aluminium or metal surface for best heat dissipation. It is not possible to extend the strip without using a repeater.



- Special features:
- Plug and Play
 - Cost Effective
 - Infra Red Remote Controller included
 - Built-in Programs (fades)
 - 3M Tape



Flexstrip Set RGBW

42774 300cm

Technical information:

LED:	5050 RGBW, 30 LEDs per meter.
Length:	300 cm
Power consumption:	26W
Power supply:	12V, 2A
PCB color:	White, 12mm wide
Beam angle:	120 degrees
IP Rating:	IP20
Included:	Controller, IR remote, Power supply

The Flex-Strip Set should not be used in sealed or hot places. Always mount on an aluminium or metal surface for best heat dissipation. It is not possible to extend the strip without using a repeater.



- Special features:
- Plug and Play
 - RGBW LED
 - Infra Red Remote Controller included
 - Built-in Programs (fades)
 - 3M Tape



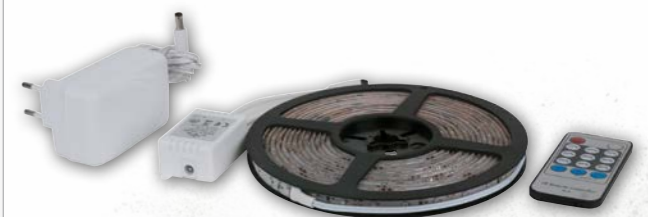
Flexstrip Set UV

42776 500cm

Technical information:

LED:	3528 UV, 60 LEDs per meter.
Length:	500 cm
Power consumption:	24W
Power supply:	12V, 2A
PCB color:	White, 10mm wide
Beam angle:	120 degrees
IP Rating:	IP20
Included:	Controller, IR remote, Power supply

The Flex-Strip Set should not be used in sealed or hot places. Always mount on an aluminium or metal surface for best heat dissipation. It is not possible to extend the strip without using a repeater.



- Special features:
- Plug and Play
 - Infra Red Remote Controller included
 - Built-in 10 level Dimmer
 - 3M Tape

- Special features:
- Intelligent light DMX controller
 - Control 16 fixtures up to 32 channels each
 - Patchable channels for each fixture
 - ready-to-use Shape Engine
 - show backup on USB



SM-16/2 FX
50702 32 Channel Lighting Desk with Shape Engine

Technical information:	
Power Supply:	230VAC ~ 50Hz
Fixtures:	16 (each 32 channels)
Scenes:	80 (5 banks)
Chases:	80 (5 banks)
Total Chase Steps:	100
Run mode:	Auto, Manual
Patch mode:	Each fixture free assignable channels
Output:	DMX-512 standard
Output connector:	3 and 5 pole XLR female
Dimensions:	482 x 220 x 75 mm (LxWxH)
Weight:	3,7 kg

- Special features:
- 50 mm dimming slider
 - Wireless DMX receiver built-in
 - Compact All-in-one housing



Single WDP-1
50756 1 Channel Wireless Dimming Pack

Technical information:	
Input Voltage:	230VAC - 50 Hz
Channel-Output:	10A max.
DMX-Connectors:	3-pin XLR sockets
Control Options:	On-Board Control Panel, DMX, W-DMX
DMX Channels:	1
Fuse:	F 10A 250V 5 x 20 mm
Dimensions:	195 x 105 x 90 mm (LxWxH)
Weight:	1,38 kg

- Special features:
- Music-controlled
 - Schuko Outlets
 - DMX-512 4CH. Dimmer pack
 - 16 built-in programs
 - Stand-alone function



DIM-4
50442 4 Channel 3A per channel Dimming Pack

Technical information:	
Input voltage:	230V/50Hz
Channel Output:	3A / CH., Total 12A
Control:	DMX-512, Stand-alone, Music control
DMX channels:	1,2 or 4
Mode:	Dim or Switch
Data in/out:	3 pole XLR
Powerconnection:	Shuko plug
Poweroutput:	Schuko chassis per channel
Monitor:	Control LED per channel, DMX signal led
Dimensions:	220 x 82 x 275 mm (LxWxH)
Weight:	3,5 kg

- Special features:
- Music-controlled
 - Schuko Outlets
 - DMX-512 4CH. Dimmer pack
 - Local Control Faders
 - Stand-alone function



DIM-4LC
50443 4 Channel 3A per channel Dimming Pack with Local Control

Technical information:	
Input voltage:	230V/50Hz
Channel Output:	3A / CH., Total 12A
Control:	DMX-512, Stand-alone, Music control, Local Control.
DMX channels:	1,2 or 4
Mode:	Dim or Switch
Data in/out:	3 pole XLR
Powerconnection:	Shuko plug
Poweroutput:	Schuko chassis per channel
Monitor:	control LED per channel, DMX signal led
Dimensions:	220 x 82 x 275 mm (LxWxH)
Weight:	3,5 kg

- Special features:
- DMX/RDM splitter for 8 outputs
 - Electrical isolation between in-and output
 - DMX Indication LEDs on in-& outputs
 - 3 & 5P XLR outputs
 - Supports Remote Device Management (RDM) Protocol



DB-1-4/RDM
50785 4 Channel DMX booster with RDM 3 & 5p XLR

Technical information:	
Input connectors:	3&5 Pole XLR M
Output connectors:	3&5 Pole XLR F
Power input:	100 ~ 240VAC, 50/60Hz
Dimensions:	483 x 134 x 46 mm (LxWxH)
Weight:	2,6 kg

- Special features:
- DMX/RDM splitter for 8 outputs
 - Electrical isolation between in-and output
 - DMX Indication LEDs on in-& outputs
 - 3P XLR outputs
 - Supports Remote Device Management (RDM) Protocol



DB-1-8/RDM
50786 8 Channel DMX Booster with RDM 3p XLR

Technical information:	
Input connectors:	3&5 Pole XLR M
Output connectors:	3 Pole XLR F
Power input:	100 ~ 240VAC, 50/60Hz
Dimensions:	483 x 134 x 46 mm (LxWxH)
Weight:	2,6 kg

- Special features:
- Supports both ArtNET or KlingNET protocol
 - 1Gbps data speed
 - 8 universes DMX input or output
 - High Speed Network in and output



NET-8/3
50804 8 Channel Artnet/Klingnet node, 3p XLR

Technical information:	
Connections:	
Network:	2x RJ45
DMX:	8x 3-pin XLR
Power:	Pro Power Connector
Supported protocols:	ArtNET, KlingNET, TCP/IPv4, DMX-512A
Dimensions:	482 x 205 x 44 mm
Power supply:	100-240VAC, 50/60Hz
Power consumption:	20W max.
Operating temp:	0 to +40 °C
Weight:	1,8 kg

- Special features:
- Supports both ArtNET or KlingNET protocol
 - 1Gbps data speed
 - 8 universes DMX input or output
 - High Speed Network in and output



NET-8/5
50805 8 Channel Artnet/Klingnet node, 5p XLR

Technical information:	
Connections:	
Network:	2x RJ45
DMX:	8x 5-pin XLR
Power:	Pro Power Connector
Supported protocols:	ArtNET, KlingNET, TCP/IPv4, DMX-512A
Dimensions:	482 x 205 x 44 mm
Power supply:	100-240VAC, 50/60Hz
Power consumption:	20W max.
Operating temp:	0 to +40 °C
Weight:	1,8 kg

- Special features:
- Regenerates & Boosts DMX/RDM signal
 - Optical isolated on each in- and output port
 - DMX Indication LEDs on in-& outputs
 - 3 & 5P XLR outputs



RDM Splitter Pro
50787 4 Channel DMX Booster with RDM 3 & 5p XLR

Technical information:	
Input connectors:	3&5 Pole XLR M
Output connectors:	3&5 Pole XLR F
Power input:	100 ~ 240VAC, 50/60Hz
Dimensions:	483 x 134 x 46 mm (LxWxH)
Weight:	2,8 kg

RDM Commander MKII
50550

Technical information:	
Operating voltage:	5VDC
Power consumption:	1A
Control:	DMX512, RDM, MIDI
Connection:	XLR 5 pole male, female
Housing:	PVC
Operating temp:	0-35°C
Storage temp:	-10-70°C
Dimensions:	170 x 100 x 45mm
Weight:	0,48g





- Special features:**
- Compact size yet powerful outputs
 - Adjustable fan speed
 - LCD Screen
 - Smart Auto Cleaning Function

Antari FT-100
60785 1500W Fire training Fogger

Technical information:

Voltage:	230V/50 HZ
Breaker:	AC-230V, 7A/250V
Power Consumption:	1,500W
Output:	20000 cu.ft / min
Initial Heat-Up Time:	10 mins
Fluid Consumption Rate:	100 ml/ min
Tank Capacity:	6 liters
Remote Included:	W-2 Wireless Remote
Control Options:	Z-3 Remote
Weight:	14.2 Kg
Dimensions (mm):	L 580 x W 278.2 x H 264.5
Liquid Used:	Antari FLP Fog Liquid

- Special features:**
- Flightcase included
 - Optional Pan Motor
 - DMX Control
 - Big Volume Output

Antari S-500
80378

Technical information:

Power Consumption:	1,500 W
Heat-up Time:	1.5 mins
Output:	6,000 Cu.Ft/min
Fluid Consumption:	6 ml/min
Liquid Tank:	1.2 Liter
Control Interface:	LCD Display with 4 buttons and Rotary Knob
Optional Remote:	Z-3 wired remote, W-2 wireless installation
Power connection:	IEC
Data connection:	DMX XLR 3 & 5 pin
Weight:	8.48 Kg
Dimensions:	L 328 W 247.7 H 264.9
Recommended Liquid:	Antari FLG Liquid



Antari Z-380
60786 Fazer

Technical information:

Power Consumption:	1,500 W
Heat-up Time:	1.5 mins
Output:	6,000 Cu.Ft/min
Fluid Consumption:	6 ml/min
Liquid Tank:	1.2 Liter
Control Interface:	LCD Display with 4 buttons and Rotary Knob
Optional Remote:	Z-3 wired remote, W-2 wireless installation
Power connection:	IEC
Data connection:	DMX XLR 3 & 5 pin
Weight:	8.48 Kg
Dimensions:	L 328 W 247.7 H 264.9
Recommended Liquid:	Antari FLG Liquid

Antari PM-1
80378P Pan Motor for S-500



- Special features:**
- Medium power Fan
 - Can be used with each smoke machine
 - 3 speed modes

SF-100
80390 Axial Universal Fan

Technical information:

Power supply:	AC 220V-240V, 50/60 Hz
Power consumption:	120W
Power connector:	Schuko
Dimensions (LxWxH):	515 x 390 x 515 mm
Weight:	5,5 kg



- Special features:**
- High velocity Fan with air-guide.
 - Metal Drum Cage with 14" Aluminium Fan Blade
 - Sturdy Tilt stand with rubber floor guards and wall mountable.
 - 3 speed rotary switch

SF-125
80391 Axial Power Fan

Technical information:

Power supply:	AC 220V-240V, 50/60 Hz
Power consumption:	270W
Power connector:	Schuko
Dimensions (LxWxH):	515 x 440 x 260 mm
Weight:	8,0 kg



Antari FLP Fog Liquid 6 liter
60594



Antari SL-5N Snow Liquid
60589



Antari SL-5AN Premium Snow Liquid
60588

Accessories for FX Ice Jet & FX Ice Gun (see cat. page 641)

C02 3/8 Q-Lock Hose

- 61013 2,5m
- 61014 5m
- 61015 10m



Technical Information

Max pressure:	175 bar / 2537 psi	Output:	female QLock
Safety ratio:	1:4	Length:	2,5m
Internal diameter:	9,7mm	Weight G/m:	155gr
External diameter:	16,0mm		
Min. Bend radius:	60mm		
Input:	male QLock		

These hoses meet/exceed standard SAEJ517 sec. SAE100R7 - EN 855 - ISO 3949

C02 Bottle to 3/8 Q-Lock adapter

- 61020



Technical information:

Input:	1x 21.8 thread
Output:	1x female Q-Lock
Material:	Electrolytically galvanized steel
Weight:	520 Gr
Safety:	ISO 7241-1 A

C02 90° 3/8 Q-Lock connector

- 61021



Technical information:

Input:	1x male Q-Lock
Output:	1x female Q-Lock
Material:	Electrolytically galvanized steel
Weight:	300 Gr
Safety:	ISO 7241-1 A

C02 3/8 Q-lock release valve

- 61022



Technical information:

Input:	1x male Q-Lock
Output:	1x female Q-Lock
Material:	Electrolytically galvanized steel
Weight:	850 Gr
Safety:	ISO 7241-1 A

C02 Q-Lock Shut-off valve

- 61029

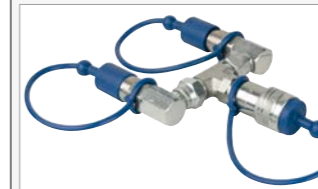


Technical information:

Input:	1x male Q-Lock
Output:	1x female Q-Lock
Material:	Electrolytically galvanized steel
Weight:	800 Gr
Protection:	Dustcovers
Safety:	ISO 7241-1 A

C02 3/8 Q-Lock 2-way combiner

- 61023



Technical information:

Input:	2x male Q-Lock
Output:	1x female Q-Lock
Material:	Electrolytically galvanized steel
Weight:	550 Gr
Safety:	ISO 7241-1 A

C02 3/8 Q-Lock 2-way splitter

- 61024



Technical information:

Input:	1x male Q-Lock
Output:	2x female Q-Lock
Material:	Electrolytically galvanized steel
Weight:	730 Gr
Safety:	ISO 7241-1 A

C02 3/8 Q-Lock 4-way distributor

- 61025



Technical information:

Input:	4x male Q-Lock
Output:	1x female Q-Lock
Material:	Electrolytically galvanized steel
Weight:	4000 Gr
Safety:	ISO 7241-1 A

C02 3/8 to Q-Lock adapter female

- 61026



Technical information:

Input:	Outer thread G 3/8
Output:	1x female Q-Lock
Material:	Electrolytically galvanized steel
Weight:	210 Gr
Safety:	DIN 2353 / ISO 8434-1

C02 3/8 to Q-Lock adapter male

- 61027



Technical information:

Input:	Inner thread G3/8
Output:	1x male Q-Lock
Material:	Electrolytically galvanized steel
Weight:	124 Gr
Safety:	DIN 2353 / ISO 8434-1

C02 90° 3/8 to Q-Lock adapter male

- 61028

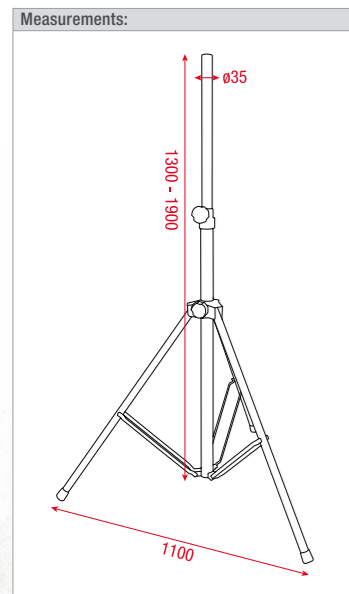


Technical information:

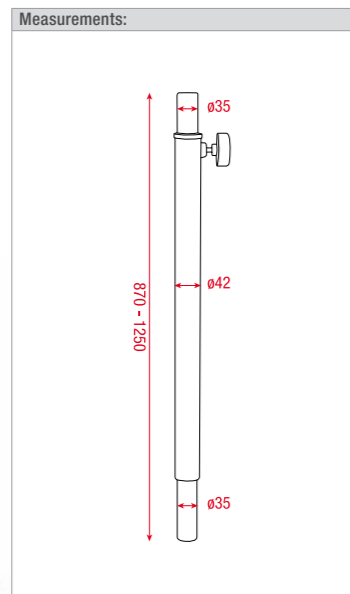
Input:	Inner thread G3/8
Output:	1x male Q-Lock
Material:	Electrolytically galvanized steel
Weight:	166 Gr
Safety:	DIN 2353 / ISO 8434-1



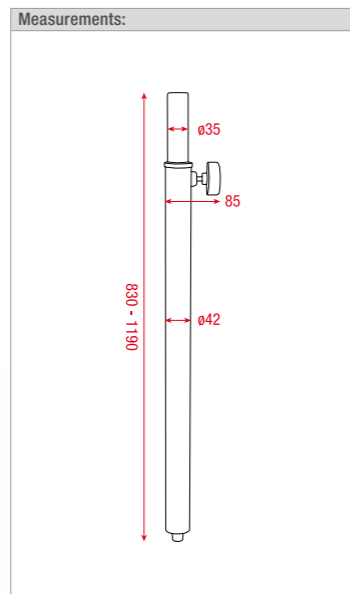
Speaker stand 35mm
D8600 Mammoth Stands



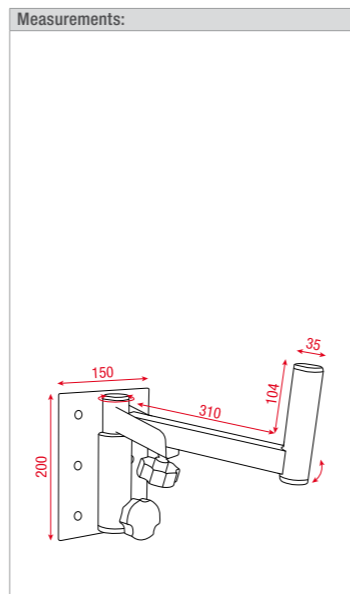
Distance tube 35mm
D8610 Mammoth Stands



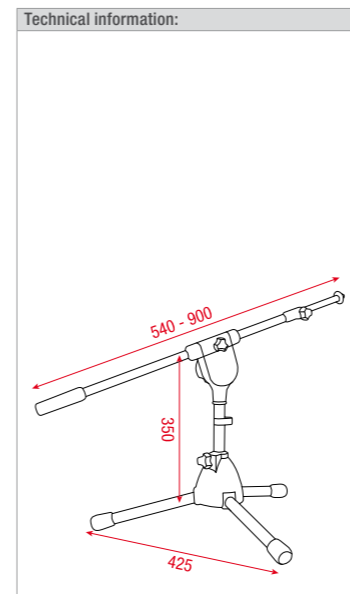
Distance tube M20
D8611 Mammoth Stands



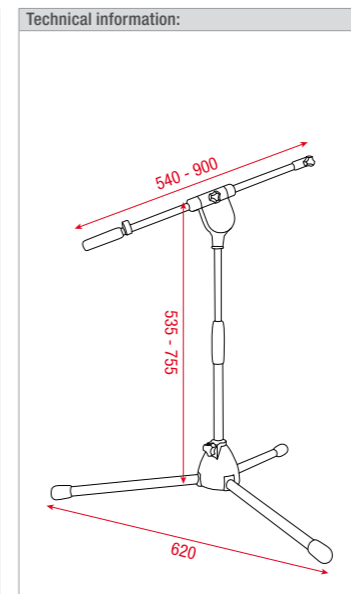
Speaker wall mount
D8615 Mammoth Stands



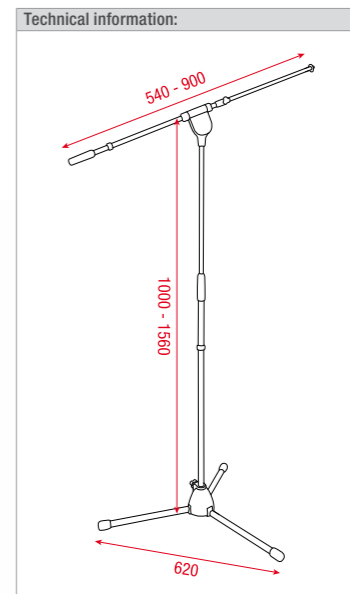
Telescopic mic stand low
D8622 Mammoth Stands



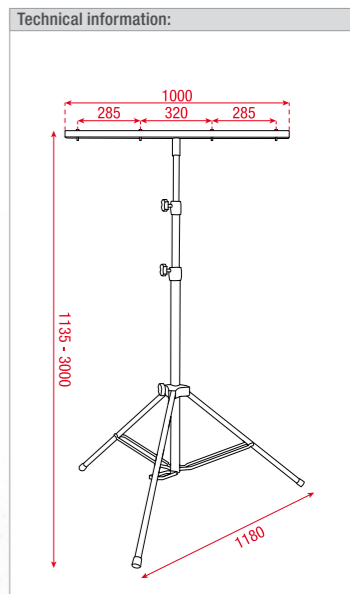
Telescopic mic stand medium
D8621 Mammoth Stands



Telescopic mic stand
D8620 Mammoth Stands



Metal Medium Lightstand
70910 Mammoth Stands



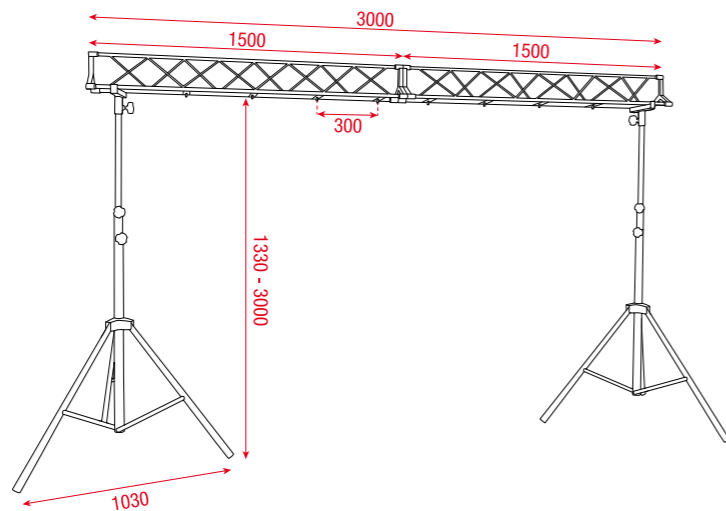


Light bridge set
70930 Mammoth Stands



Technical information:
 Max. Load: 60 kg
 Diameter truss tube: 28 mm
 Height: 1330 - 3000mm
 Width: 3000 mm
 Attach points: 8
 Attach screws: M6 with wingnuts
 Attach distance: 300mm

Technical information:

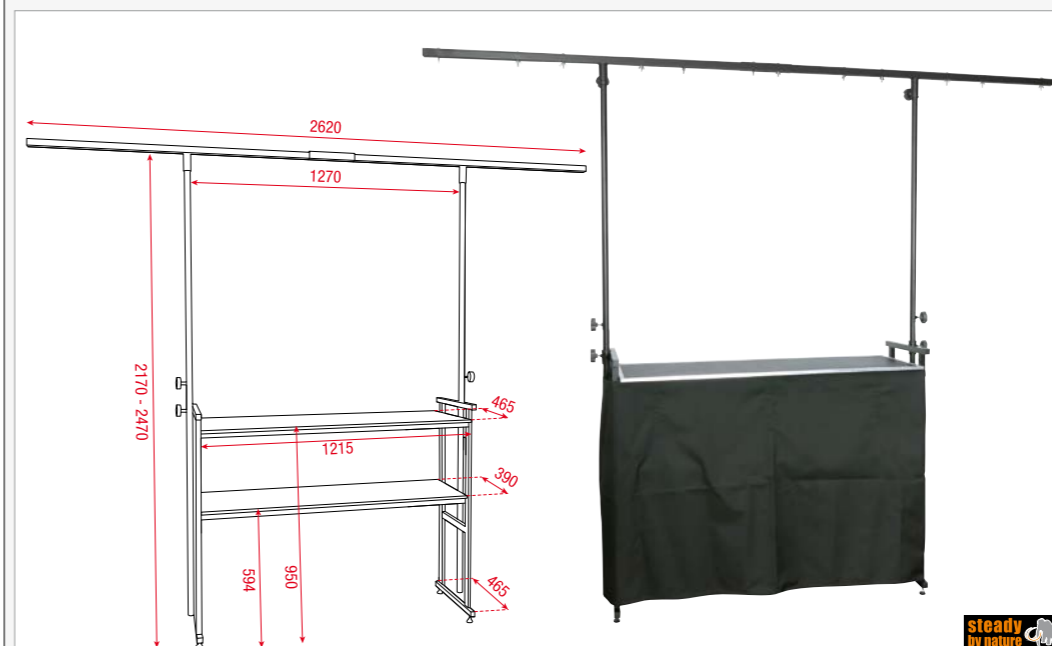


DJ stand set

D8660 Mammoth Stands

Floor space: 1270 x 465mm
 Lightbar width: 2620
 Lightbar height: 2170 - 2470mm
 Main desk: 1215 x 465mm
 Second desk: 1215 x 390mm
 Main desk level: 950mm
 Second desk level: 594mm

- Special features:
- Quick and easy to assemble
 - 2 Desks included
 - including Carrying bag
 - 2,6m Lightbar



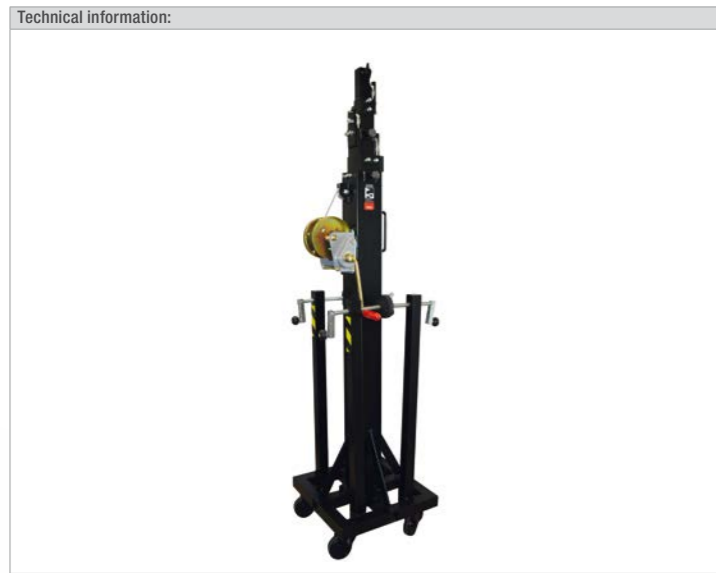
Floorstand
70191 30x30cm, 50mm tube



Technical information:
 Dimensions: ca 30x30 cm
 Centre holes: 239 x 239 mm
 Accommodates: Truss 30cm square truss
 Metal base: Round 50mm
 Hole: 10 and 12 mm
 Feet: Rubber feet
 Colour: Black



MT-200 Lifting Tower
70860 Mammoth Stands 6,4m



Technical information:
 Maximum height: 6,40m
 Maximum load: 200kg
 Folded height: 1,92m
 Working area open base: 2,00 x 2,00m
 Closed base: 0,47 x 0,47m
 Material: Steel EN 10305-5
 Own Weight: 86kg
 Winch: AL-KO Type 501 Plus – 500kg
 Cable diameter: 6mm, galvanized steel under EN 12385-4. Resistance 1.770N/mm².
 Certification: BGV C1 - BGG 912 - 2006/42/CE (Dekra)
 Additional info: Fixation of tower sections to working height by safety pins. Leg anchorage with safety pins. Bubble level to adjust tower vertical position. Rustproof protection and painting protection finish.



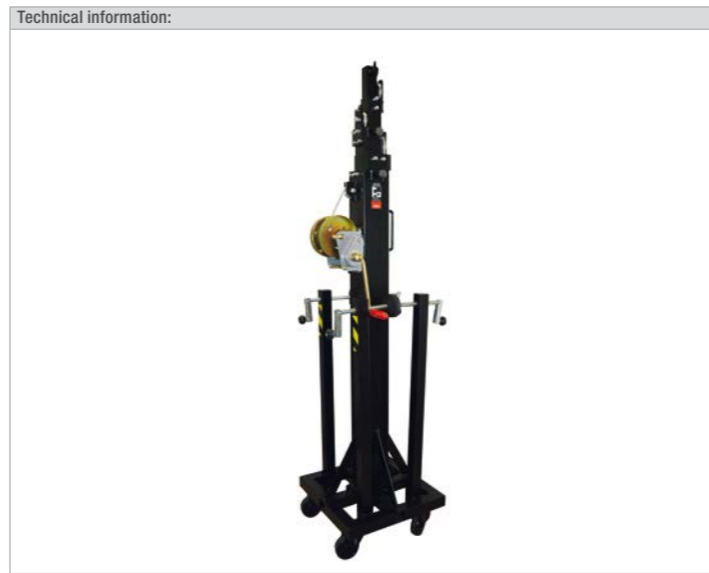
MT-230 Lifting Tower
70861 Mammoth Stands 5,30m



Technical information:
 Maximum height: 5,30m
 Maximum load: 230kg
 Folded height: 1,82m
 Working area open base: 2,00 x 2,00m
 Closed base: 0,47 x 0,47m
 Material: Steel EN 10305-5
 Own Weight: 78kg
 Winch: AL-KO Type 501 Plus – 500kg
 Cable diameter: 6mm, galvanized steel under EN 12385-4. Resistance 1.770N/mm².
 Certification: BGV C1 - BGG 912 - 2006/42/CE (Dekra)
 Additional info: Fixation of tower sections to working height by safety pins. Leg anchorage with safety pins. Bubble level to adjust tower vertical position. Rustproof protection and painting protection finish.



MT-300 Lifting Tower
70862 Mammoth Stands 6,1m



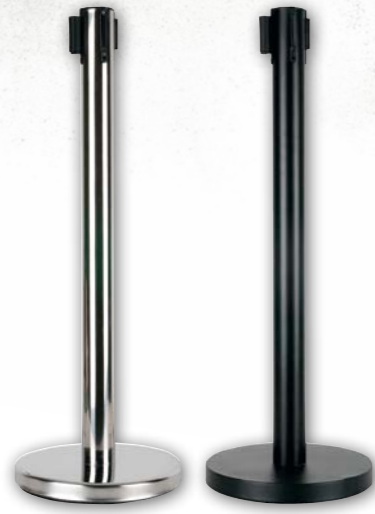
Technical information:
 Maximum height: 6,10m
 Maximum load: 300kg
 Folded height: 1,92m
 Working area open base: 2,00 x 2,00m
 Closed base: 0,47 x 0,47m
 Material: Steel EN 10305-5
 Own Weight: 90kg
 Winch: AL-KO Type 900 Compact – 900kg
 Cable diameter: 6mm, galvanized steel under EN 12385-4. Resistance 1.770N/mm².
 Certification: BGV C1 - BGG 912 - 2006/42/CE (Dekra)
 Additional info: Fixation of tower sections to working height by safety pins. Leg anchorage with safety pins. Bubble level to adjust tower vertical position. Rustproof protection and painting protection finish.



MAT-250 Line Array Tower
70870 Mammoth Stands 5,4m



Technical information:
 Maximum height: 5,40m
 Maximum load: 250kg
 Folded height: 1,76m
 Working area open base: 1,66 x 1,72m
 Closed base: 0,48 x 0,48m
 Material: Aluminium AL SI 6082 / T6
 Own Weight: 96kg
 Winch: AL-KO Type 901 Plus – 900kg
 Cable diameter: 6mm, galvanized steel under EN 12385-4. Resistance 1.770N/mm².
 Certification: BGV C1 - BGG 912 - 2006/42/CE (Dekra)
 Additional info: Fixation of tower sections to working height by safety pins. Leg anchorage with safety pins. Bubble level to adjust tower vertical position. Rustproof protection and painting protection finish.



2m Adjustable Crowd Barrier

- Available models:
- 90000** Silver
 - 90001** Black



Round Top Cord Pole

- Available models:
- 90010** Gold
 - 90011** Silver
 - 90012** Black



Velvet Rope Gold Hook

- Available models:
- 90020** Red
 - 90021** Black
 - 90022** Blue



Velvet Rope Silver Hook

- Available models:
- 90023** Red
 - 90024** Black
 - 90025** Blue



8-Channel Chainhoist Controller

70283 Direct Control

Technical information:
 Power Supply: 400V/50 Hz
 Dimensions: 19" 4U
 Power Connector: CEE 5 pole 32A
 Output Connector: CEE 4 pole 16A
 Safety: 16 pole multi-connector
 Emergency button



4-Channel Chainhoist Controller

70282 Direct Control

Technical information:
 Power Supply: 400V/50 Hz
 Dimensions: 19" 4U
 Power Connector: CEE 5 pole 32A
 Output Connector: CEE 4 pole 16A
 Safety: 16 pole multi-connector
 Emergency button



Showtec SET Frames, communicate your images in aluminium frames in any size or way. Showtec SET Frames are a versatile and flexible system made out of connectable aluminium profiles on which any desired fabric can be fastened. The SET Frames unique and easy fastenings allow seamless spanning and infinite changing of fabrics. The system is not limited to a single-sided solution. The frame can be expanded to any shape and/or size, allowing the fabrics to be fastened double-sided or multiple-sided. The fabrics that you span in the Showtec SET Frames have synthetic cords on all sides, which makes it easy and convenient to span them into the SET Frames. The fabric stretches so that any folds or wrinkles disappear and you get a wrinkle free look. Showtec does not provide the fabrics. However most online-printing company's offer these printed fabric with welded sheath which allows you to choose your own fabric printing company.



SET Frame Set- Double Sided Profile

- Available models:
- 89630** 240(h) x 100(b)cm - Excluding clothing
 - 89631** 240(h) x 200(b) cm - Excluding clothing
 - 89632** 240(h) x 300(b) cm- Excluding clothing

SET Frame Set - Cube

- Available models:
- 89690** 50x50x50cm - Excluding fabrics
 - 89691** 100x100x100cm - Excluding fabrics

Double Sided Profile - Length 5.1m

89640



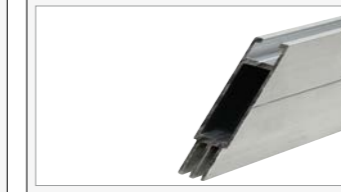
Single sided profile - Length 5.1m

89641



Cube Profile - Length 5.1m

89642



2 way support profile - Length 5.1m

89650



Tube Connector - 50mm

89651



Connection Strip

89660



Hook Connection Strip 3-way

89661



Steel Angle 90 degrees

89662



Hanging Bracket

89665



Easy Clamp for Support Profile

89667



Baseplate 45 x 8 cm

89670



U-Torque bracket for support profile

89666



Single Tube



Single Tube 50mm, 25 cm	
Available models:	
PP50025	P Truss with female receivers
FP50025	F Truss with female receivers
GP50025	G Truss with female receivers

Single Tube 50mm, 50 cm	
Available models:	
PP50050	P Truss with female receivers
FP50050	F Truss with female receivers
GP50050	G Truss with female receivers

Single Tube 50mm, 100 cm	
Available models:	
PP50100	P Truss with female receivers
FP50100	F Truss with female receivers
GP50100	G Truss with female receivers

Single Tube 50mm, 200 cm	
Available models:	
PP50200	P Truss with female receivers
FP50200	F Truss with female receivers
GP50200	G Truss with female receivers

Single Tube 50mm, 300 cm	
Available models:	
PP50300	P Truss with female receivers
FP50300	F Truss with female receivers
GP50300	G Truss with female receivers

Single Tube Black



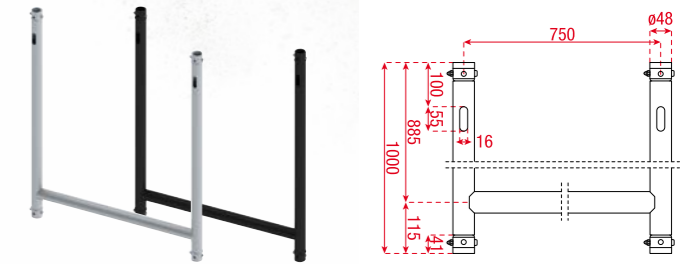
Single Tube 50mm, 25 cm	
Available models:	
PP50025B	P Truss with female receivers black
FP50025B	F Truss with female receivers black
GP50025B	G Truss with female receivers black

Single Tube 50mm, 50 cm	
Available models:	
PP50050B	P Truss with female receivers black
FP50050B	F Truss with female receivers black
GP50050B	G Truss with female receivers black

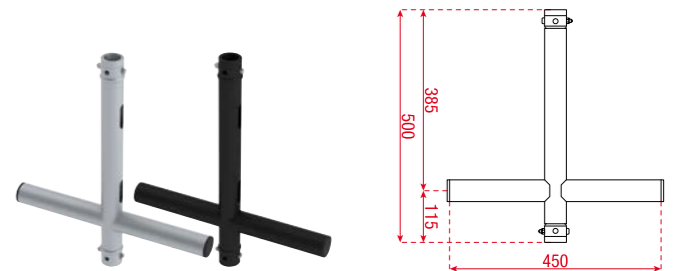
Single Tube 50mm, 100 cm	
Available models:	
PP50100B	P Truss with female receivers black
FP50100B	F Truss with female receivers black
GP50100B	G Truss with female receivers black

Single Tube 50mm, 200 cm	
Available models:	
PP50200B	P Truss with female receivers black
FP50200B	F Truss with female receivers black
GP50200B	G Truss with female receivers black

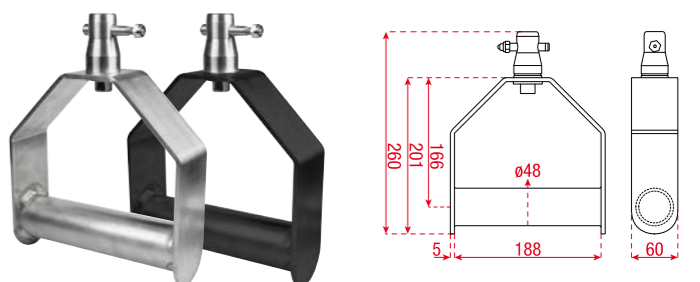
Single Tube 50mm, 300 cm	
Available models:	
PP50300B	P Truss with female receivers black
FP50300B	F Truss with female receivers black
GP50300B	G Truss with female receivers black



H-Downrigger	
Available models:	Technical information:
70473 Alu (FT/FQ)	Dimensions: 750 x 1000 x 48mm
70474 Alu (GT/GQ)	SWL: 100Kg
70473B Black (FT/FQ)	Finish: Aluminum
70474B Black (GT/GQ)	



T-Downrigger	
Available models:	Technical information:
70475 Alu (FT/FQ)	Dimensions: 450 x 500 x 48mm
70476 Alu (GT/GQ)	SWL: 100Kg
70475B Black (FT/FQ)	Finish: Aluminum
70476B Black (GT/GQ)	



Single Downrigger	
Available models:	Technical information:
70477 Alu (FT/FQ)	Dimensions: 198 x 201 x 48mm
70478 Alu (GT/GQ)	SWL: 100Kg
70477B Black (FT/FQ)	Finish: Aluminum
70478B Black (GT/GQ)	

Single Tube Cube
STC50 half connectors not included



Single Tube Hinge
STH50 without half connectors



Truss Tower

70000 1,0 mtr

Technical information:	
Dimensions Base Plate:	600 x 600 x 4mm
Dimensions Top Plate:	350 x 350 x 4mm
Dimensions Pipes:	1000 x 50 x 2mm
Material Base/Top:	Steel
Finish:	Silver
Material Pipes:	Aluminium
Material Fabric:	Spandex
Weight:	22Kg

Set contains base- and top plate, white spandex sleeve, 4pcs truss pipes, conical adapters, pins and safety springs

For safety reasons it is recommended to firmly mount the base plate on a stable and level surface, preventing the possibility of tipping the Truss Tower.



Truss Tower

70001 1,5 mtr

Technical information:	
Dimensions Base Plate:	600 x 600 x 4mm
Dimensions Top Plate:	350 x 350 x 4mm
Dimensions Pipes:	1500 x 50 x 2mm
Material Base/Top:	Steel
Finish:	Silver
Material Pipes:	Aluminium
Material Fabric:	Spandex
Weight:	24Kg

Set contains base- and top plate, white spandex sleeve, 4pcs truss pipes, conical adapters, pins and safety springs

For safety reasons it is recommended to firmly mount the base plate on a stable and level surface, preventing the possibility of tipping the Truss Tower.



Truss Tower

70002 2,0 mtr

Technical information:	
Dimensions Base Plate:	600 x 600 x 4mm
Dimensions Top Plate:	350 x 350 x 4mm
Dimensions Pipes:	2000 x 50 x 2mm
Material Base/Top:	Steel
Finish:	Silver
Material Pipes:	Aluminium
Material Fabric:	Spandex
Weight:	26Kg

Set contains base- and top plate, white spandex sleeve, 4pcs truss pipes, conical adapters, pins and safety springs

For safety reasons it is recommended to firmly mount the base plate on a stable and level surface, preventing the possibility of tipping the Truss Tower.



Truss Tower spare cloth

Available models:	
700003	1,0 mtr White
700013	1,5 mtr White
700023	2,0 mtr White



Technical information:	
Length:	1000mm
Color:	White
Material Fabric:	Spandex
Length:	1500mm
Color:	White
Material Fabric:	Spandex
Length:	2000mm
Color:	White
Material Fabric:	Spandex

AUDIO-VISUAL



The AV section consists of all products concerning Projection, LED screens and pixel controlled shapes, plug and play products with Klingnet protocol. We offer indoor and outdoor LED screens with a pixelpitch of 3.9 to 25. Add media software, servers, senderboxes, distributors and rigging to complete your LED screens.

AUDIO



We offer solutions for installers, musicians, mobile DJ's and rental companies. We have an extensive package ranging from players, mixers, processors to amplifiers, speakers, 100V systems and other handy solutions. Excellent Price-quality is priority number 1.

BAGS & CASES



Equipment needs to be well protected. Here you will find a large assortment of products designed to protect your valuable equipment. Flightcases dedicated for light fixtures, screens, controllers and audio equipment. Also universal solutions for cables, stands, stage products and our 3 different case ranges; the value, standard and premium line.

CABLES & CONNECTORS



Prefab cables for audio, light, data and video can be found here, as well as all powercables, ranging from IP-20 to IP-65. Also all products to make cables, assembly tools for a simple splitting cable to multicore and power solutions. Here you will also find our assortment of adapters / plugs.

ENTERTAINMENT LIGHTING



We offer professional (theater) spots, bars, parcans, washers and decorative lights for the right atmosphere in both small venues and large outdoor events. In addition; moving heads, lasers, light effects, blinders and our foggers & effects for an extra show dimension. Furthermore all you need to control and distribute DMX.

ARCHITECTURAL LIGHTING



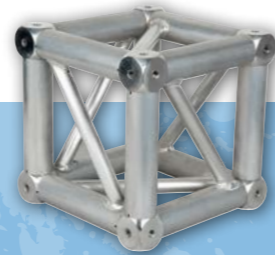
To complement and cross-over to a piece of light entertainment, we offer our range of LED strips, downlights and floodlights in both white and RGB. In addition, all products for the lighting installer like inground and underwater lights, wall lights, garden and street lights with the necessary power and control accessories.

STANDS



Unlike previous catalogues this version combines all AV, Audio & Light stands together. For AV applications you will find our projector / LCD brackets and trolleys. For audio; speaker stands, wall brackets, microphones and DJ booths. Also there's a comprehensive range of truss and line array lifters and lightweight tripod stands.

STAGE & RIGGING



Stage & rigging in the broadest sense of the word. Tapes, Cable bridges, Stages, Trusses but also everything to safely rig trusses and fixtures using chainhoists, slings, clamps and safeties. Also all you need to tidy-up your stage with backdrops, spaghetti curtains, curtain systems, pipe & drape and LED drapes.

NOW AVAILABLE! PRODUCTCATALOGUE 2016



752 pages full of professional DMT, DAP-Audio, Showtec, Infinity and Arctecta products. This new 2016 catalogue has a new and improved structure based on function groups, each with their own color. **Ask your local dealer!**



Highlite International

Vestastraat 2, 6468 EX Kerkrade,
The Netherlands.

Phone Sales: +31-(0)45-5667701

Email: sales@highlite.nl

Phone Export: +31-(0)45-5667706

Email: export@Highlite.nl

WorldWideWeb: www.Highlite.nl

